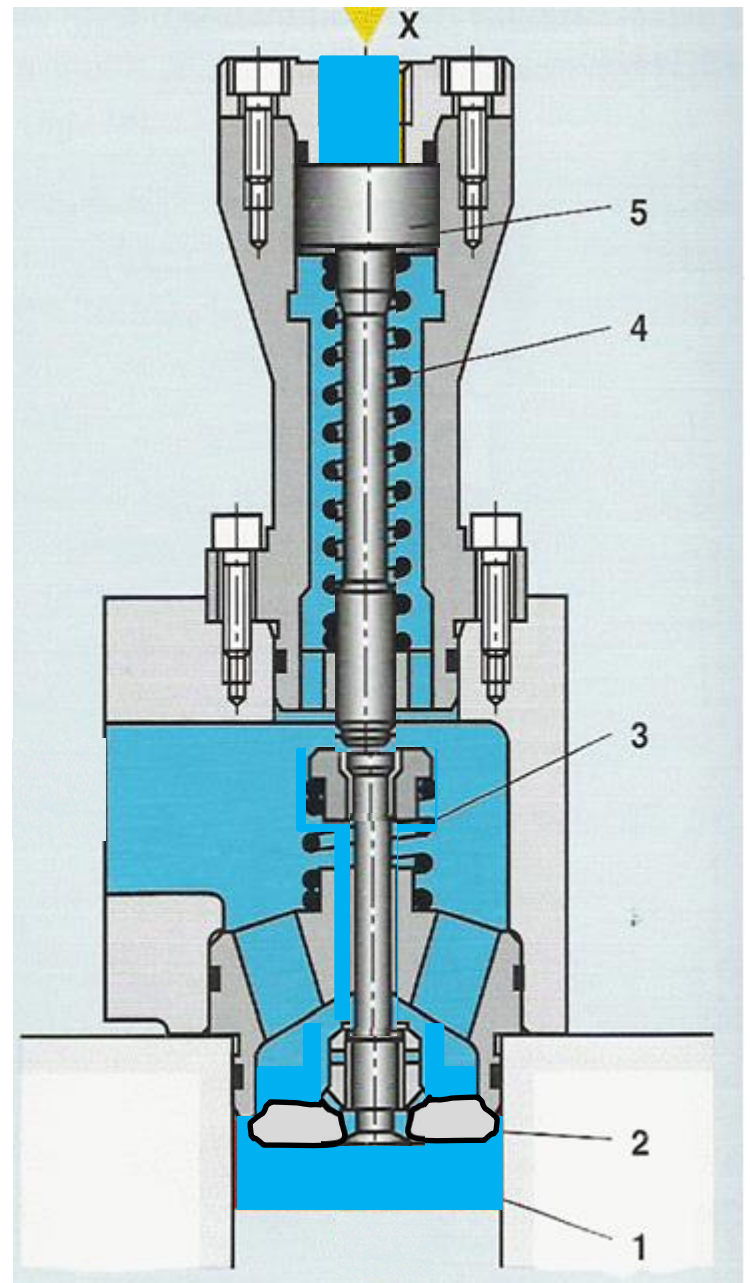
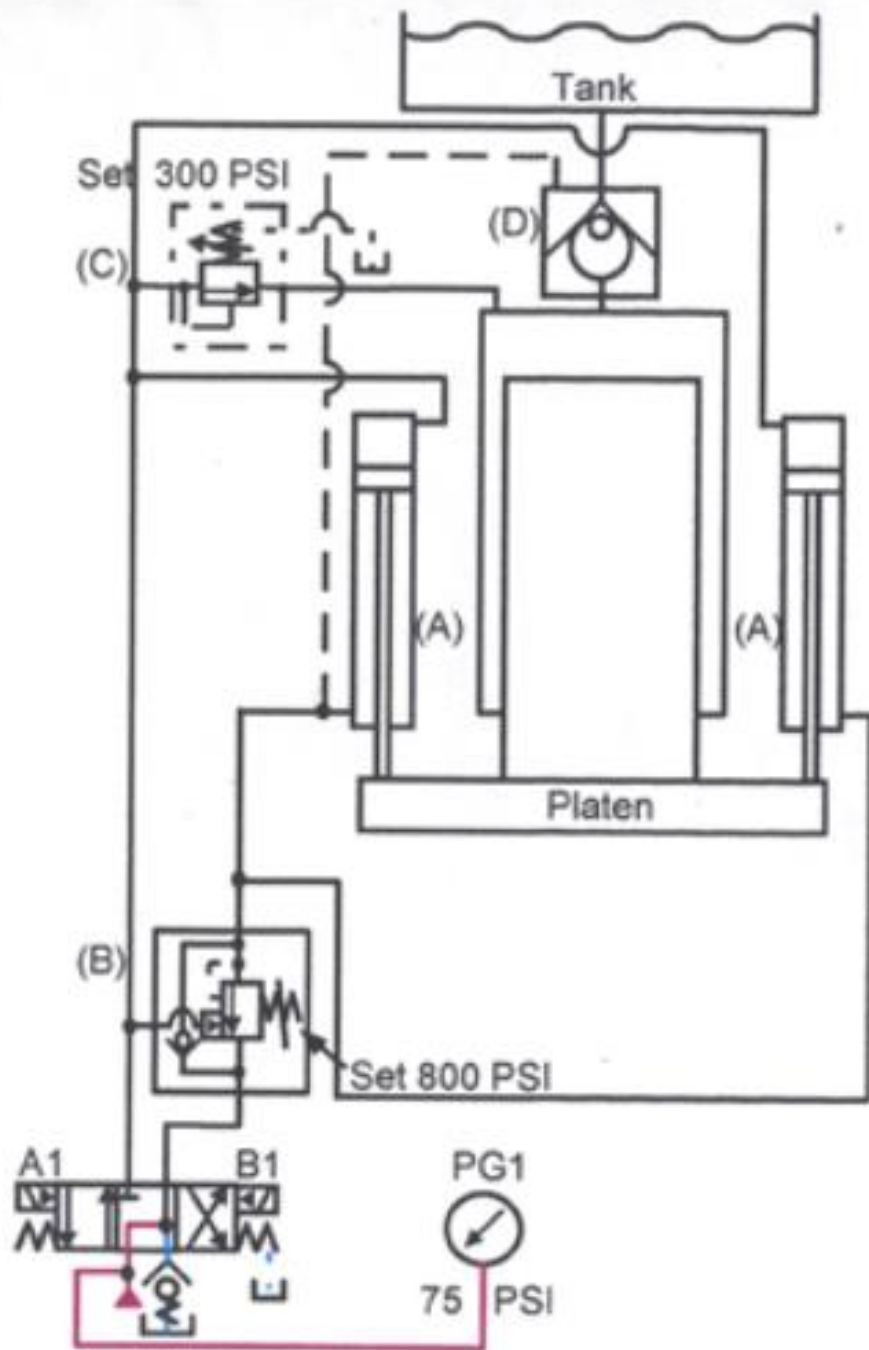
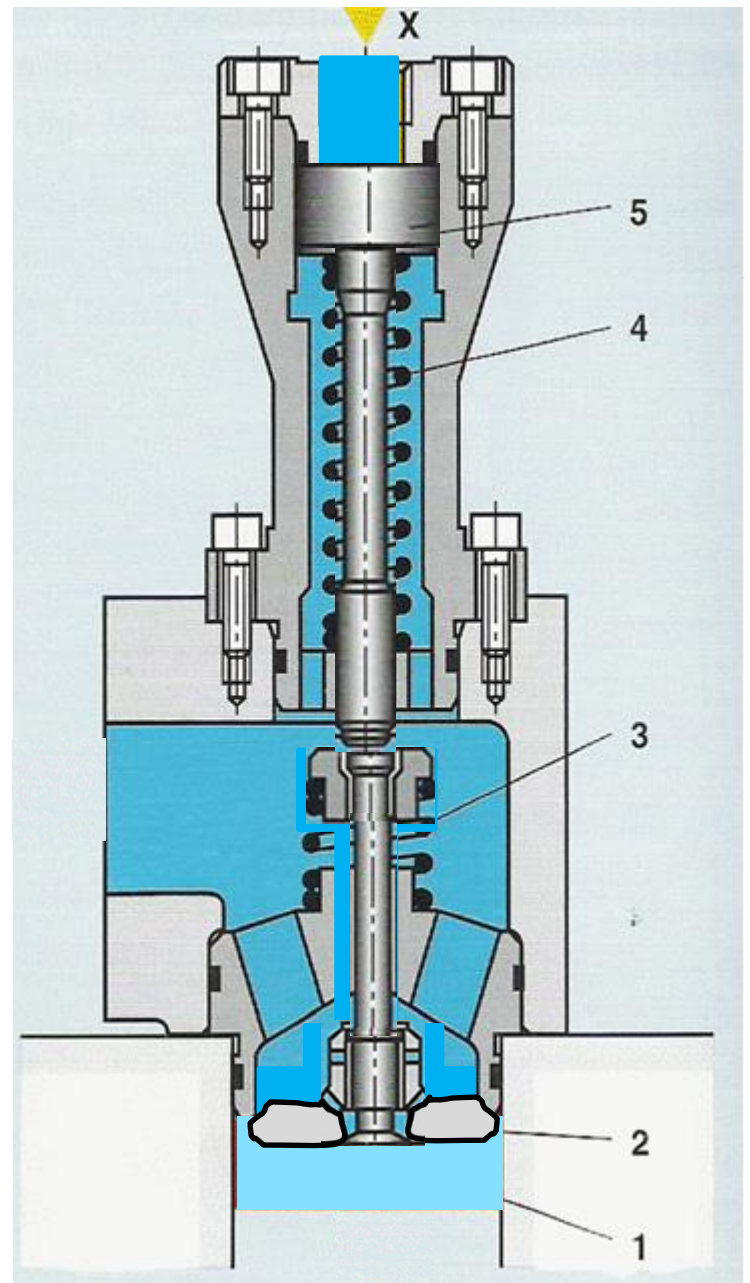
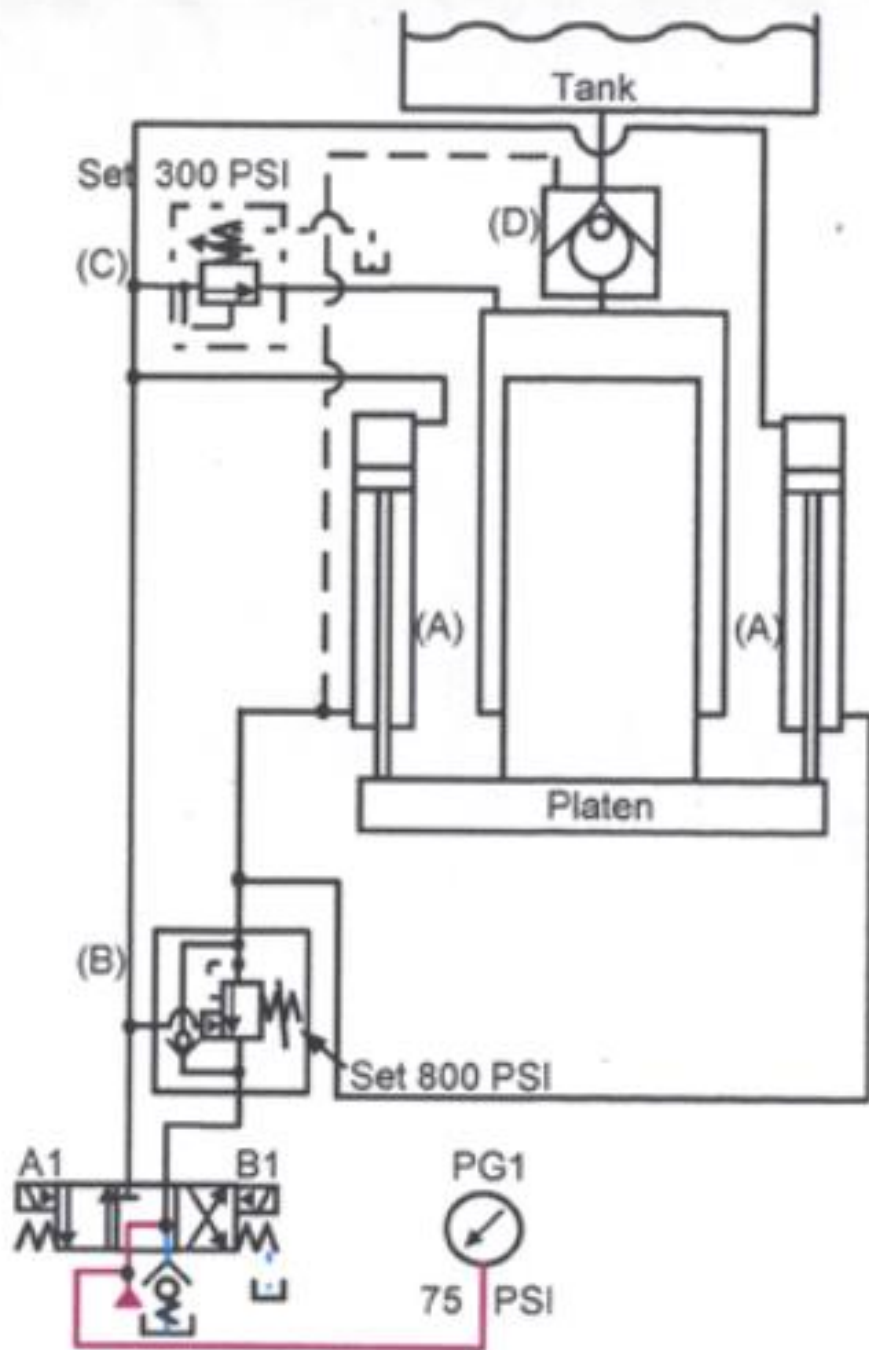
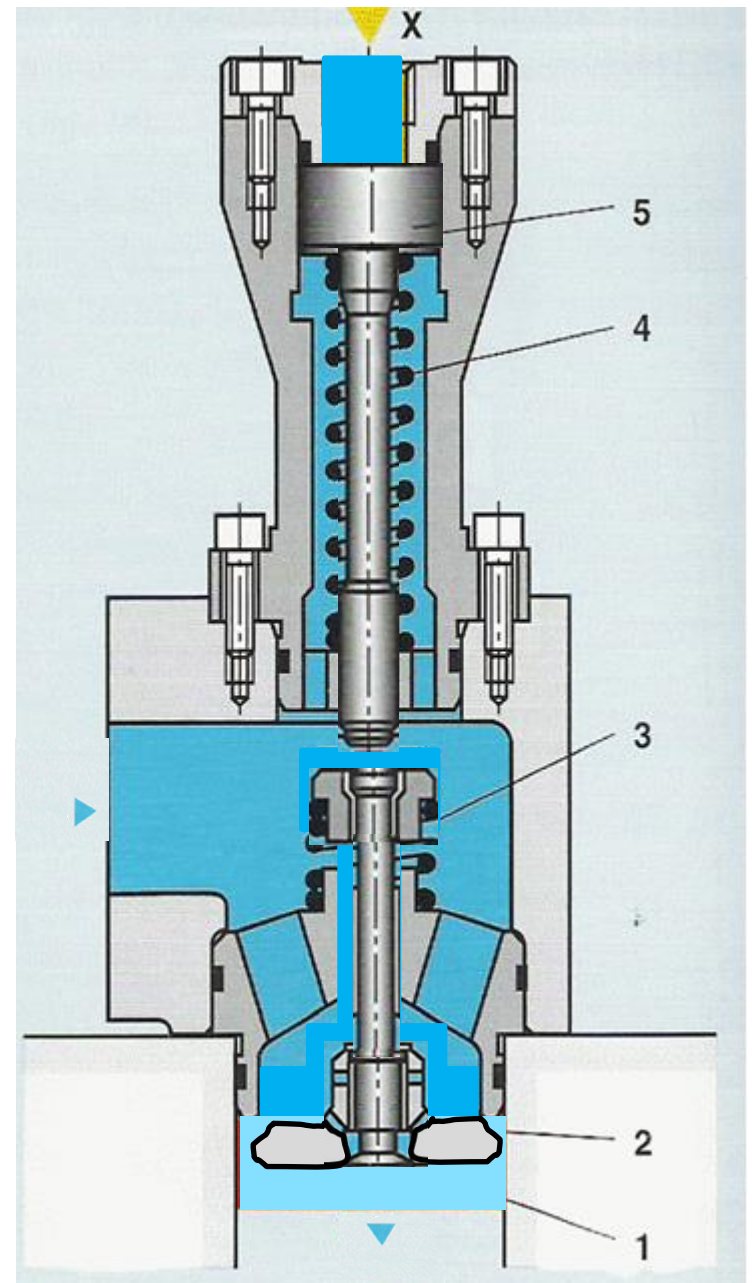
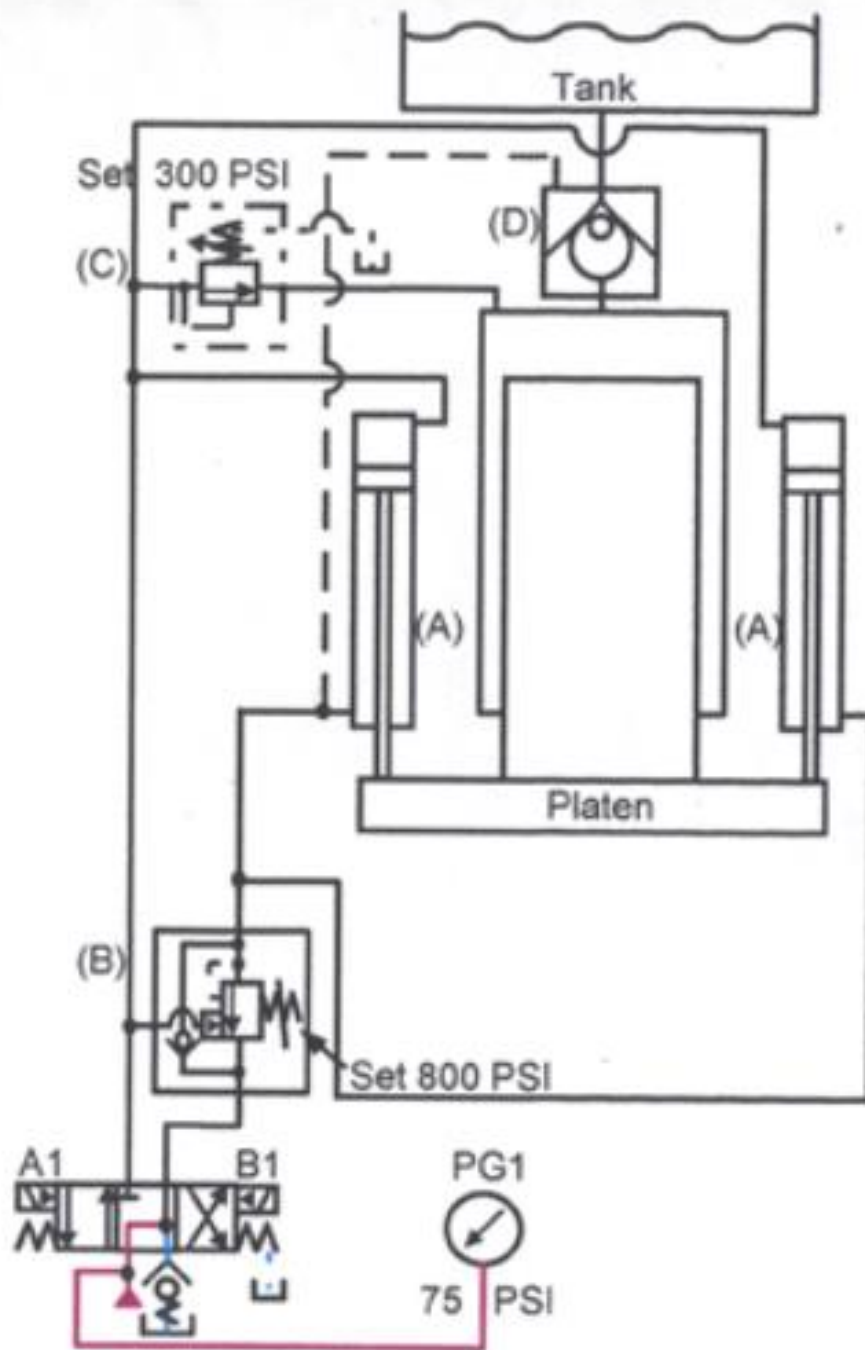


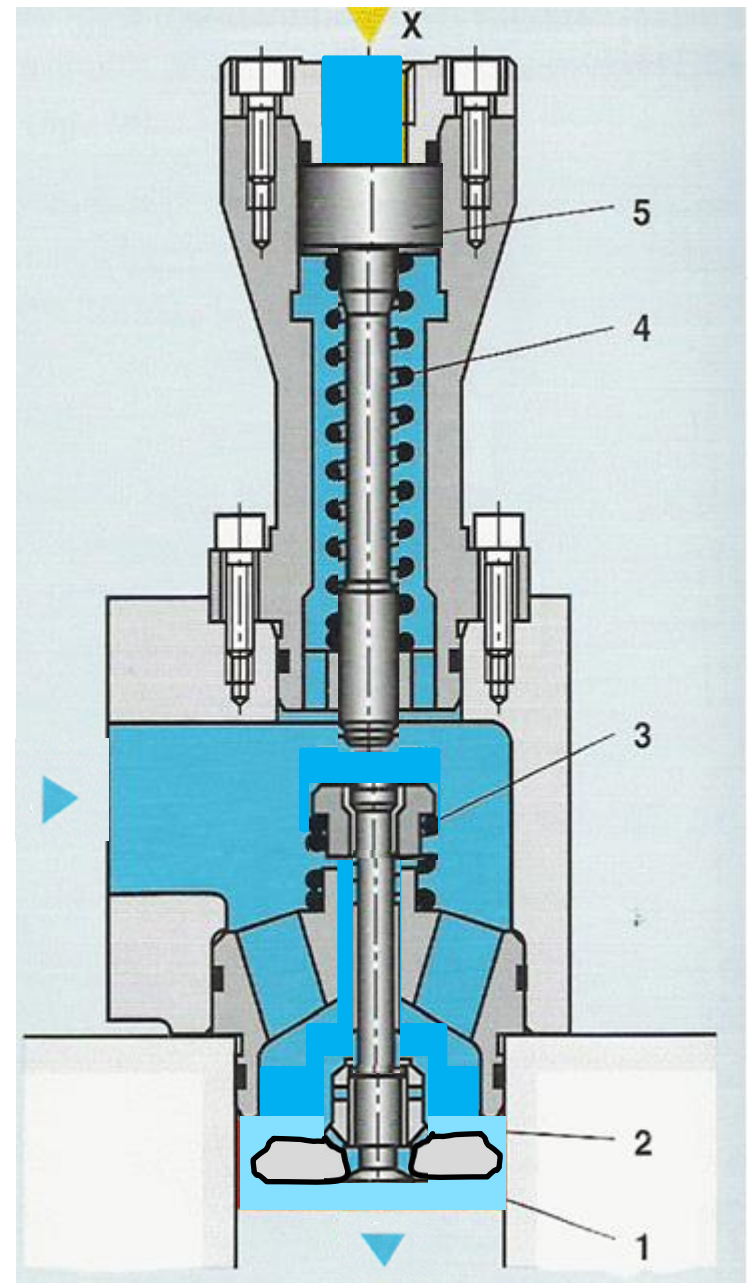
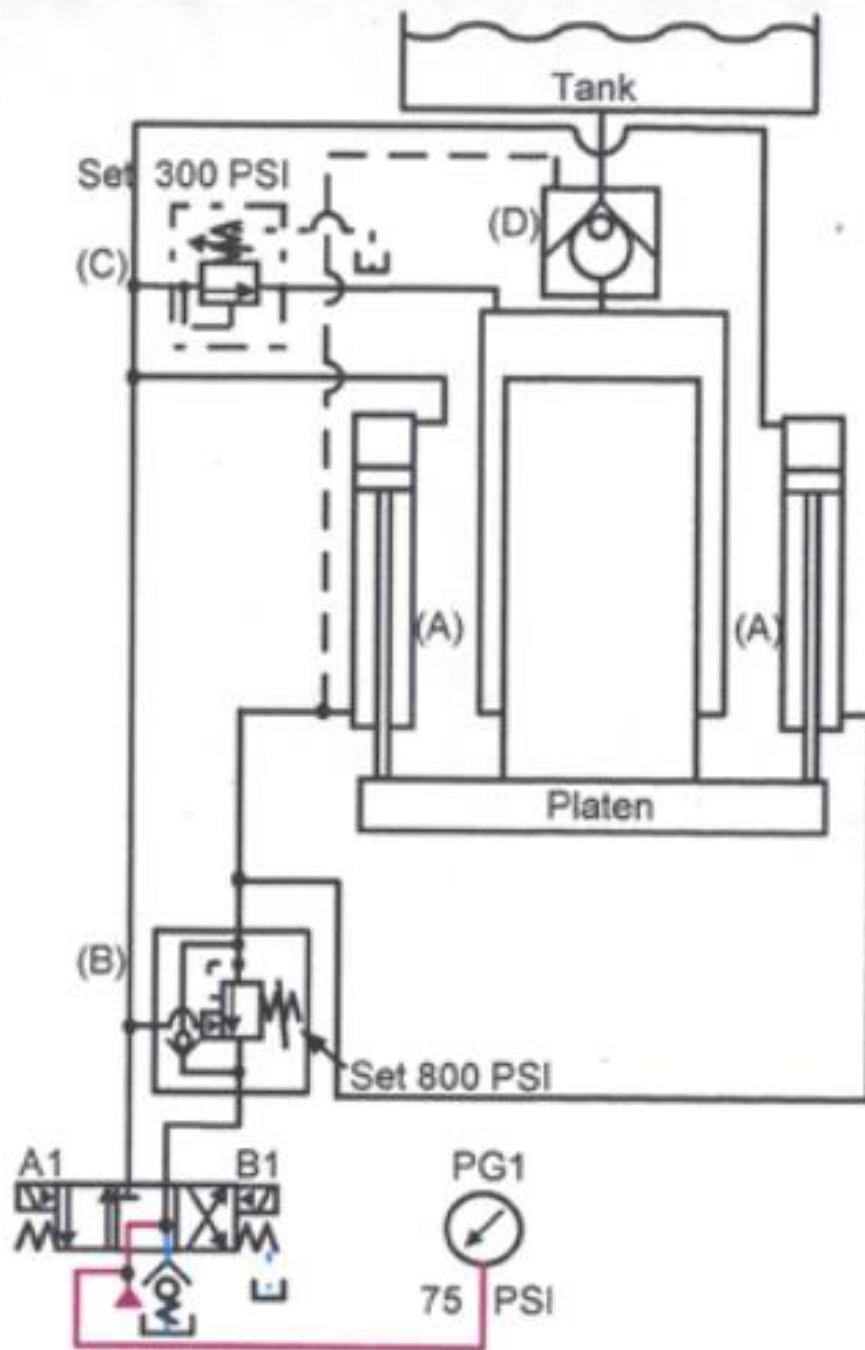
Prefill valves

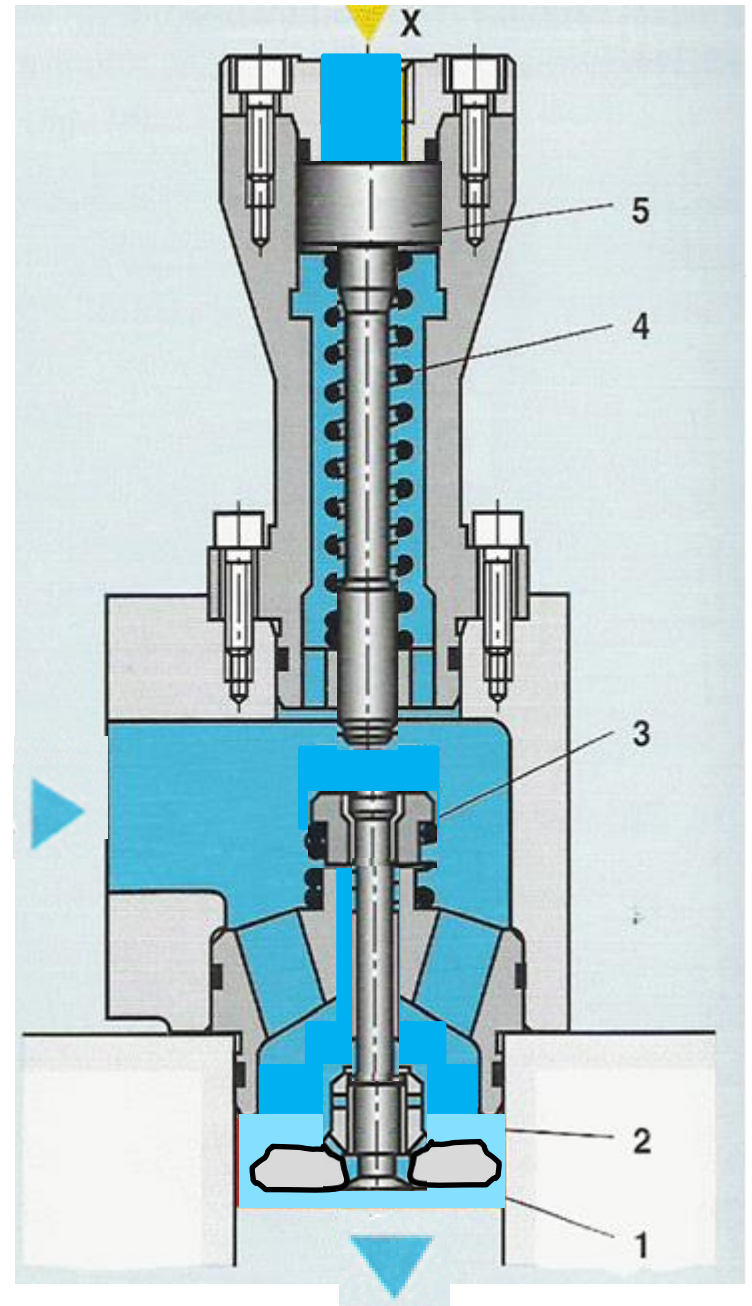
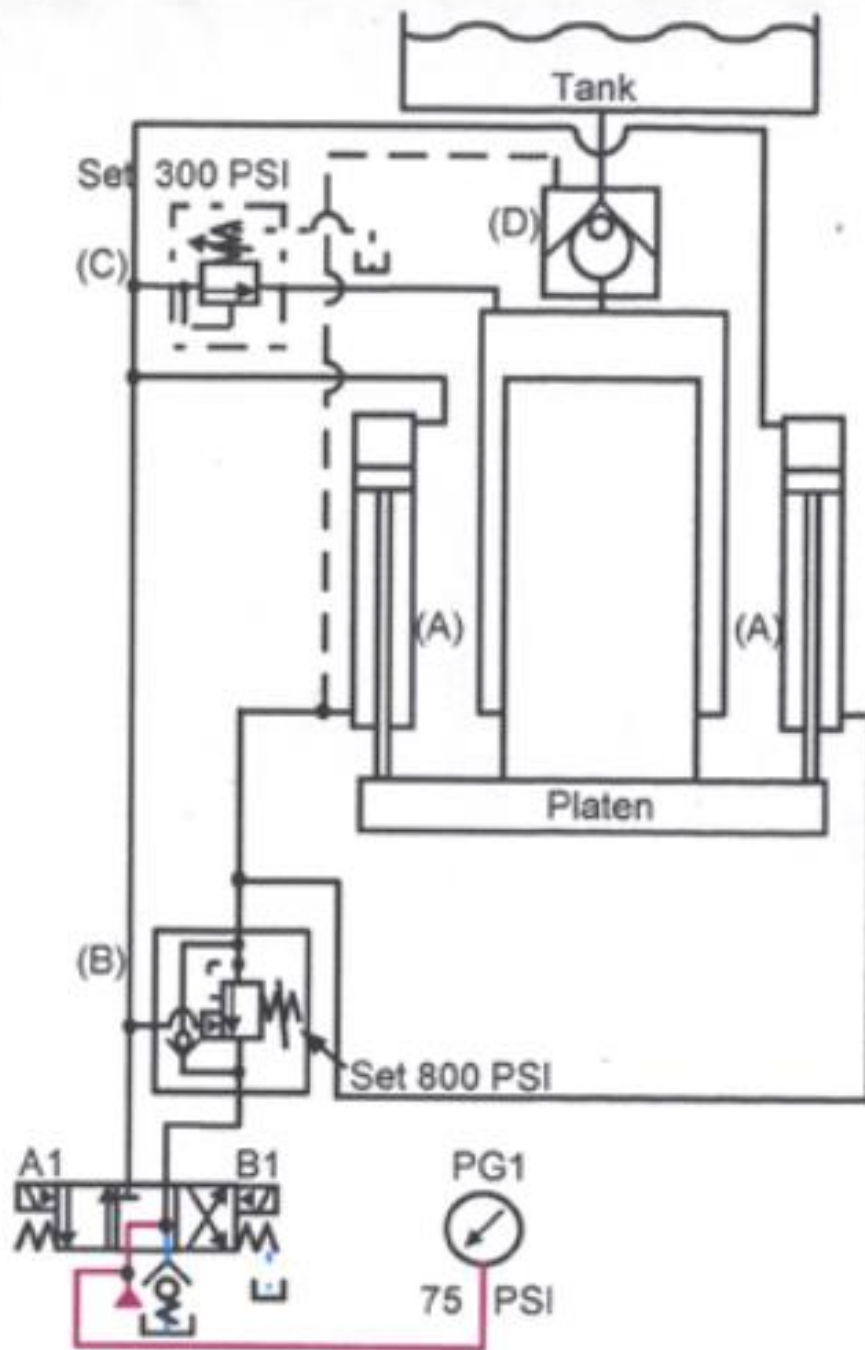


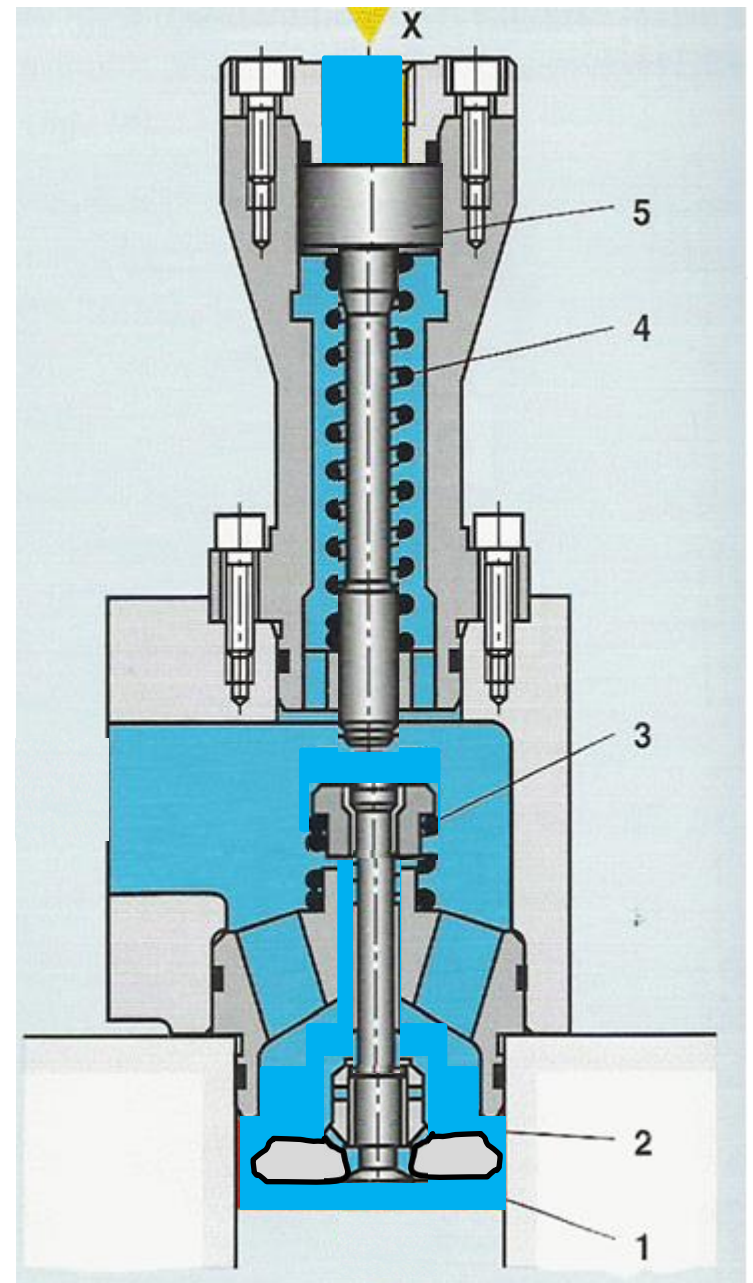
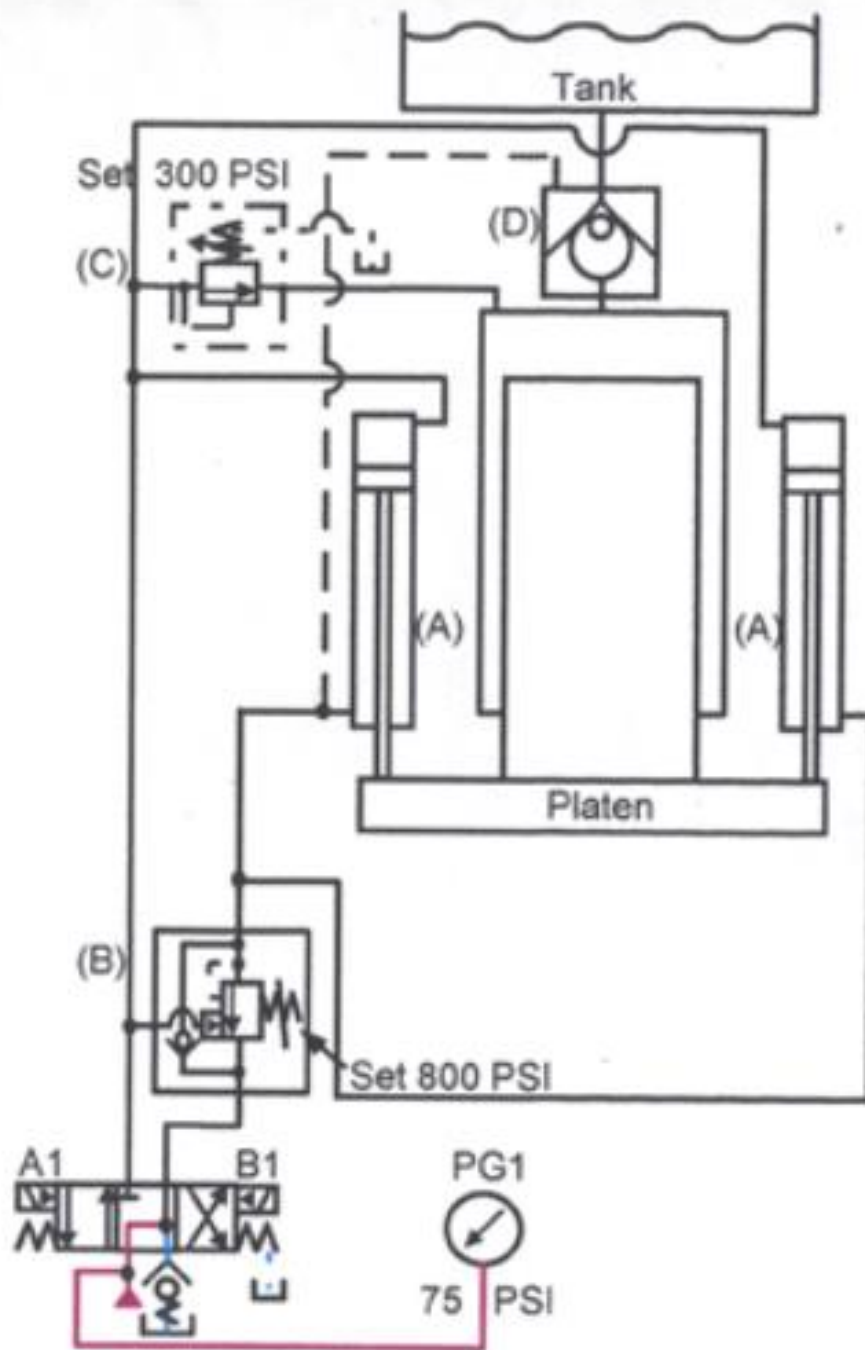




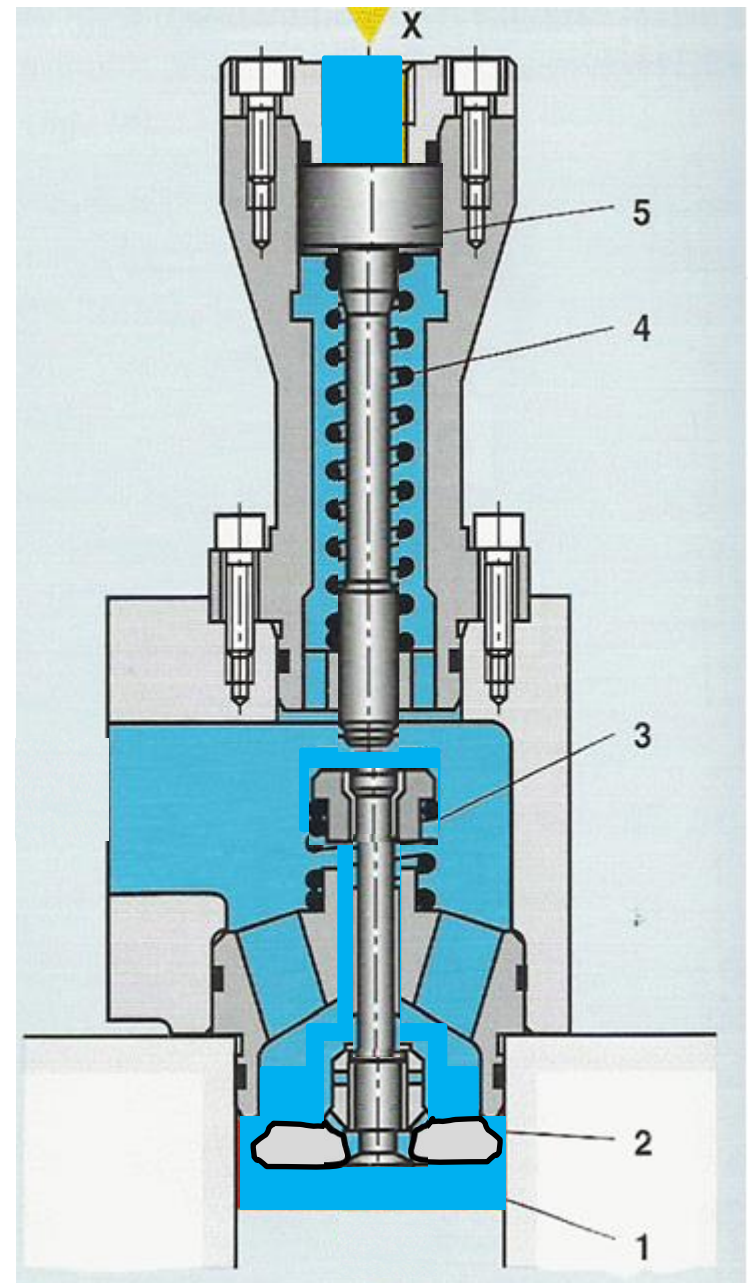
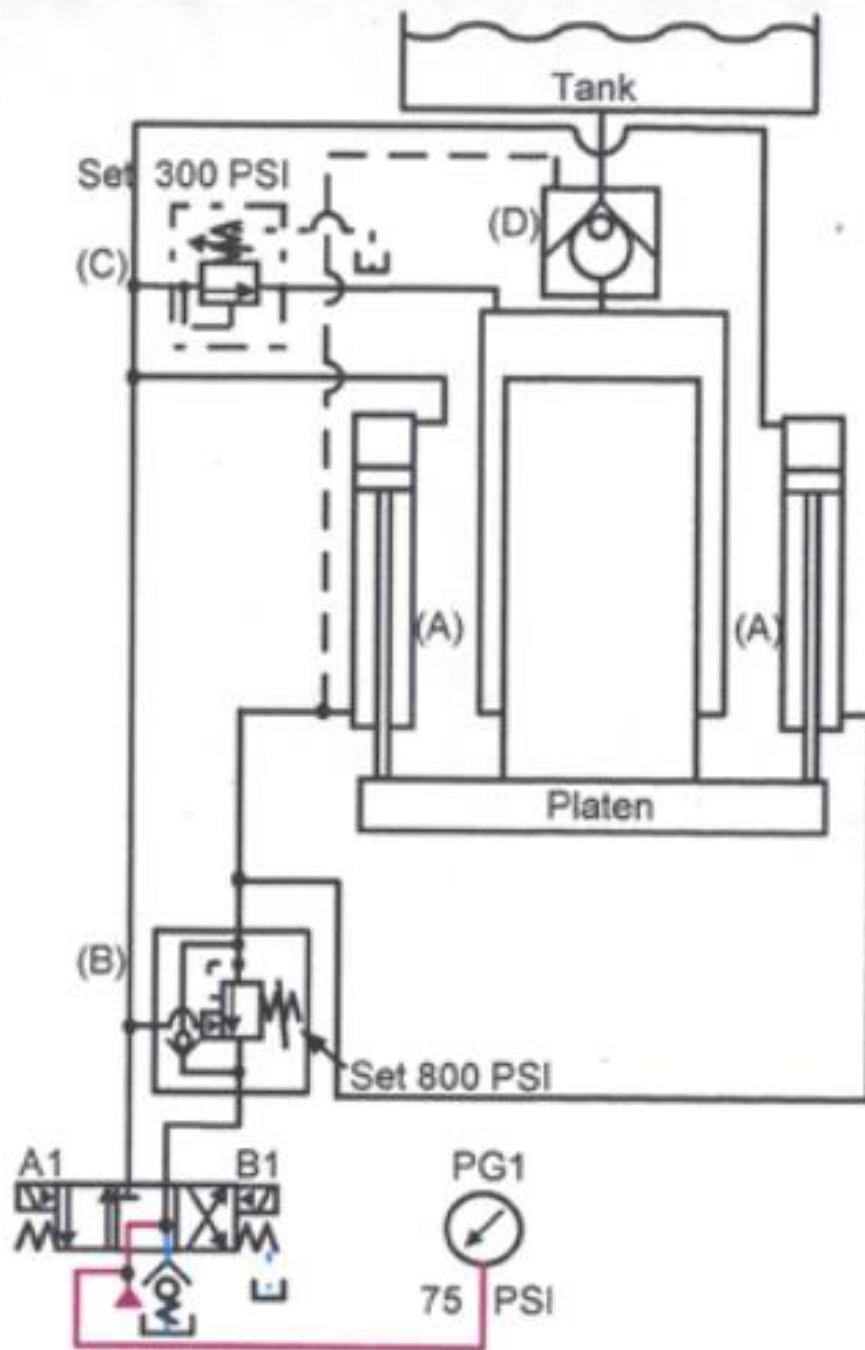




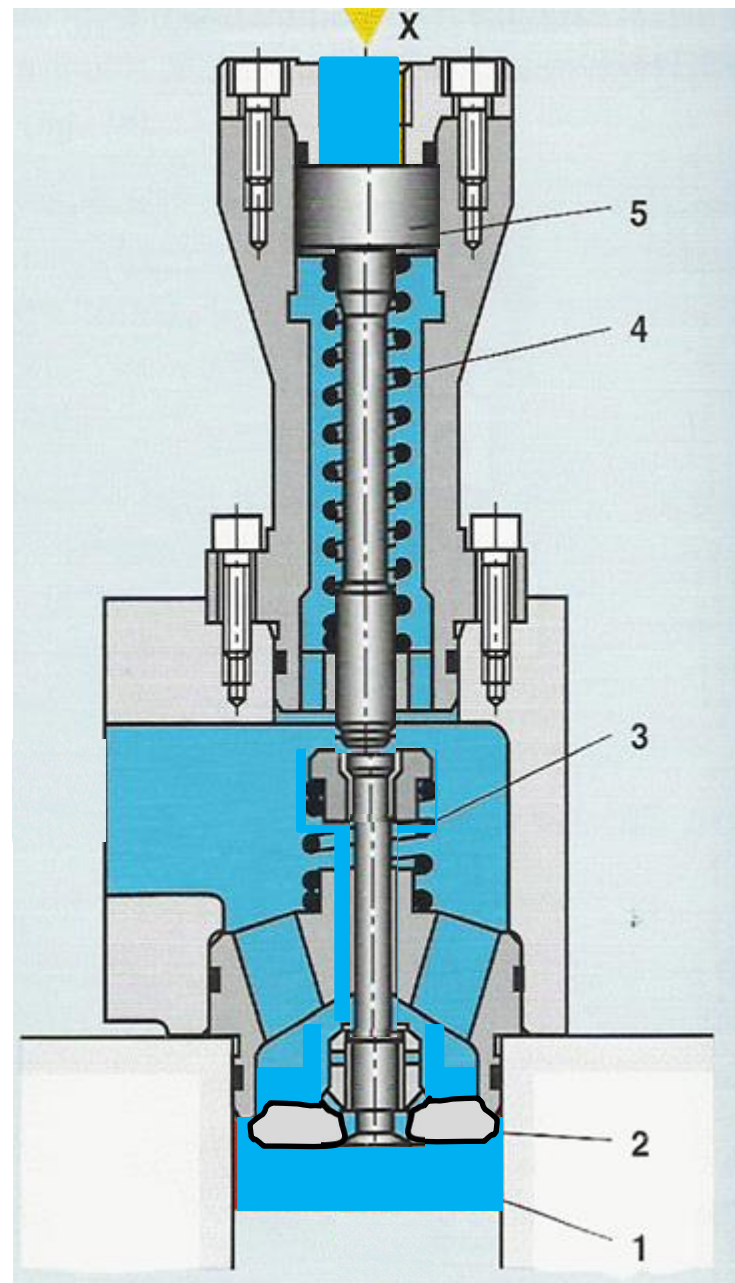
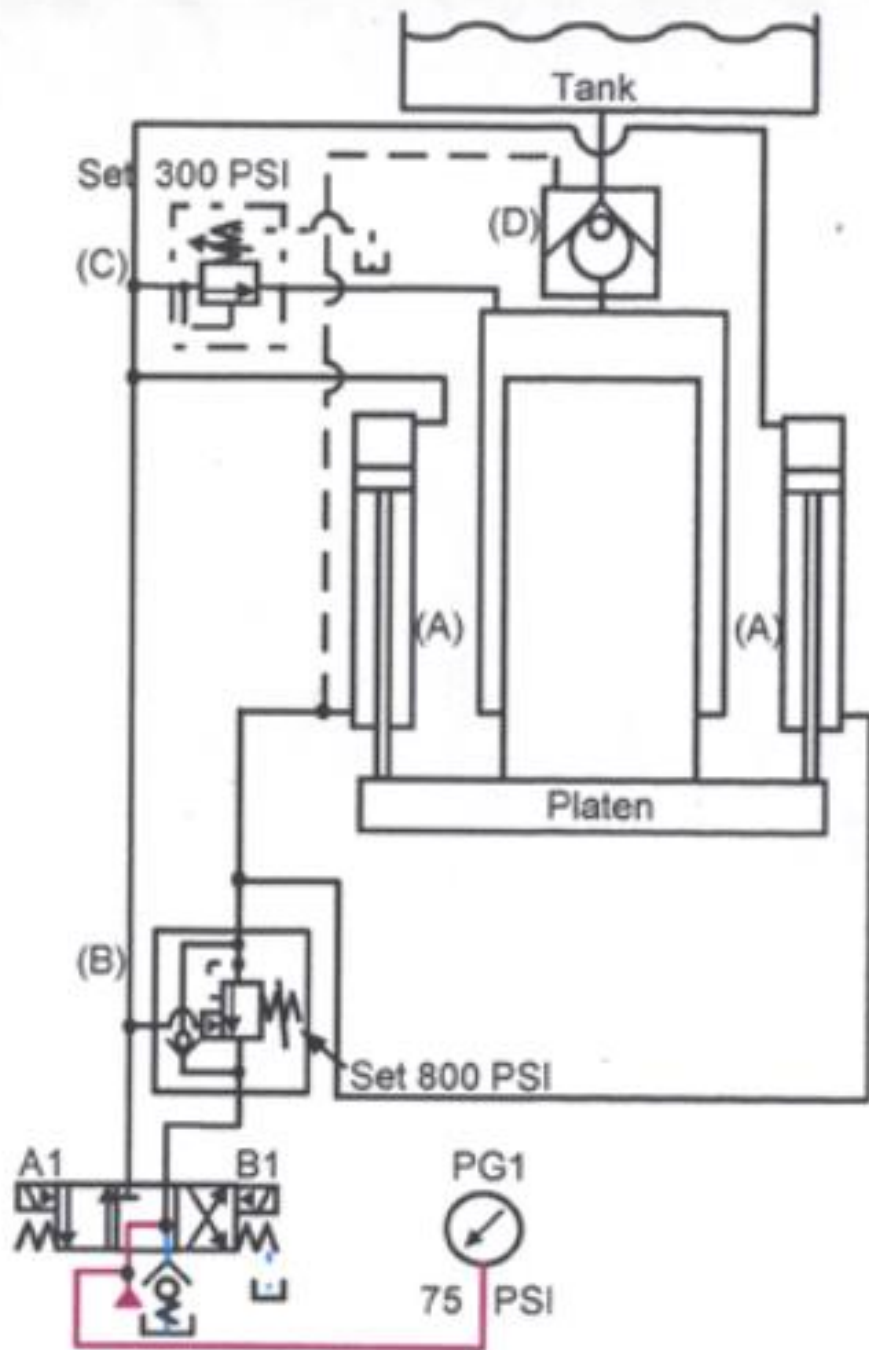


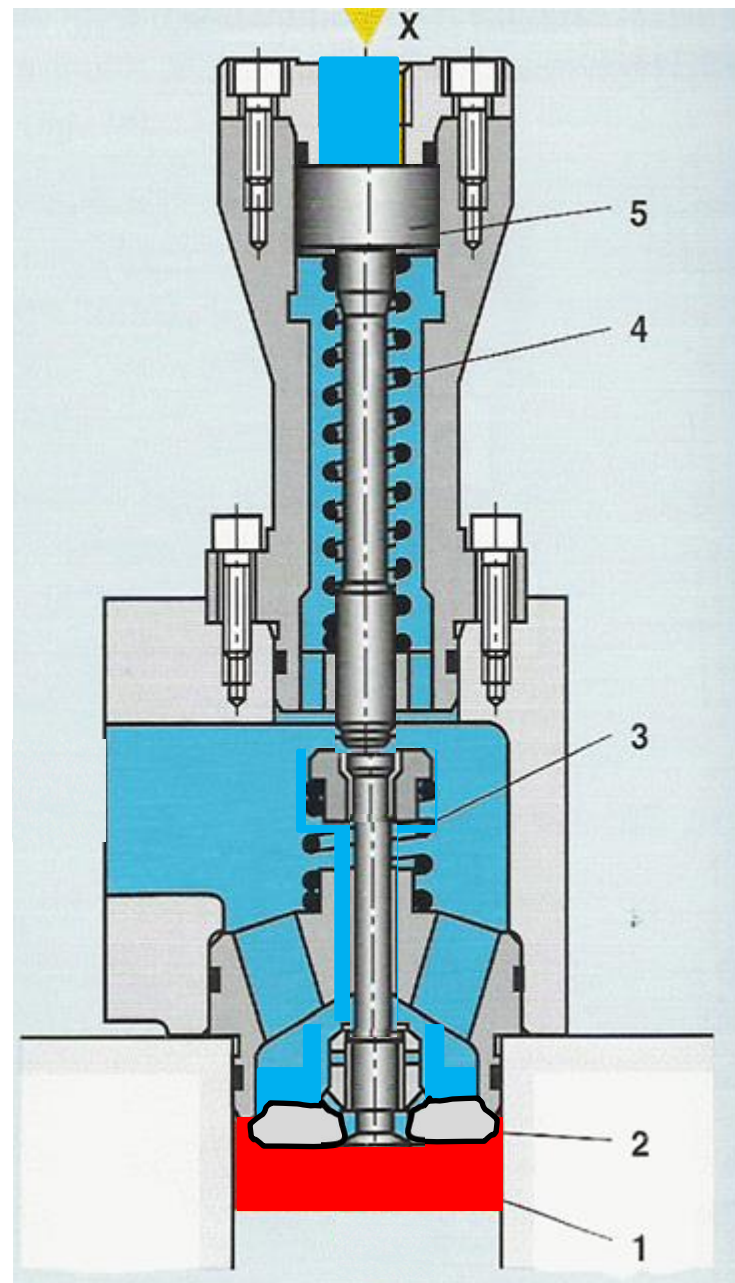
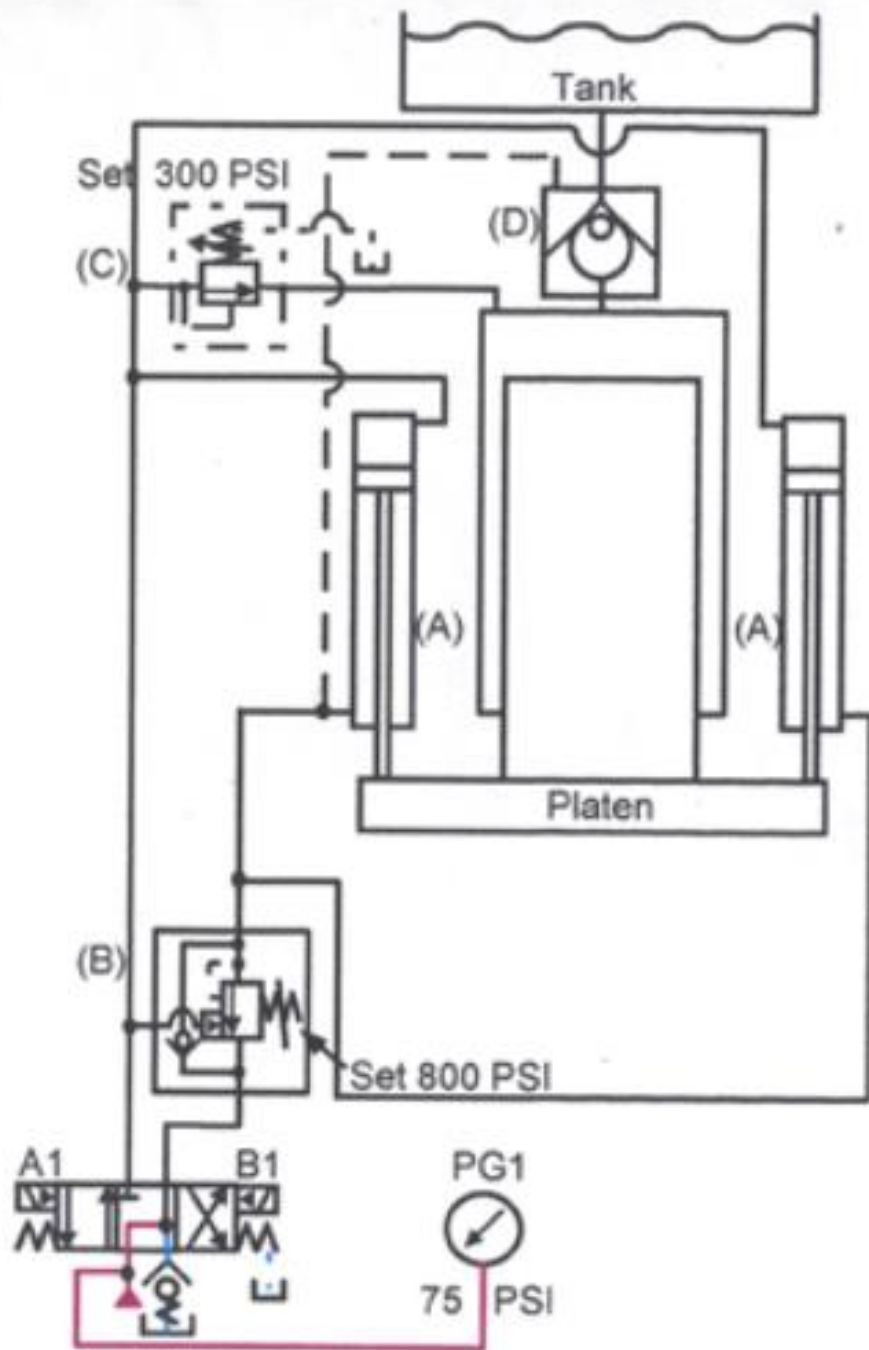


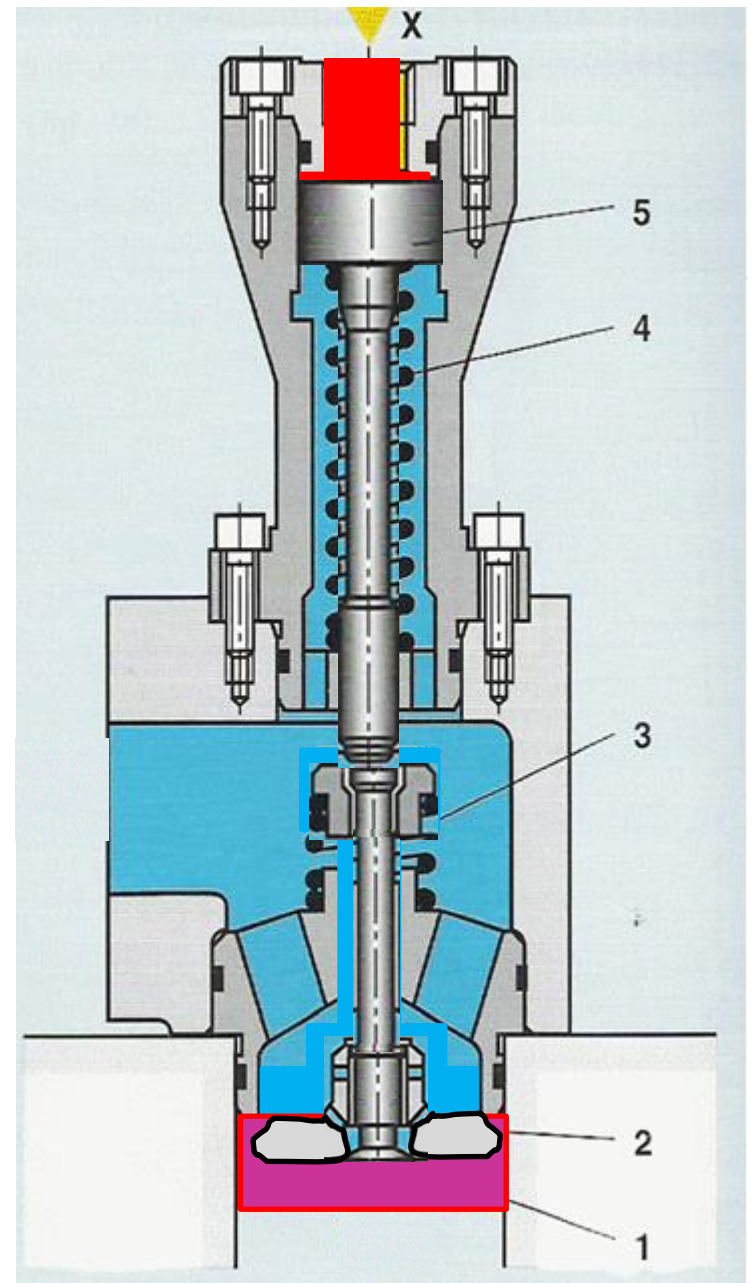
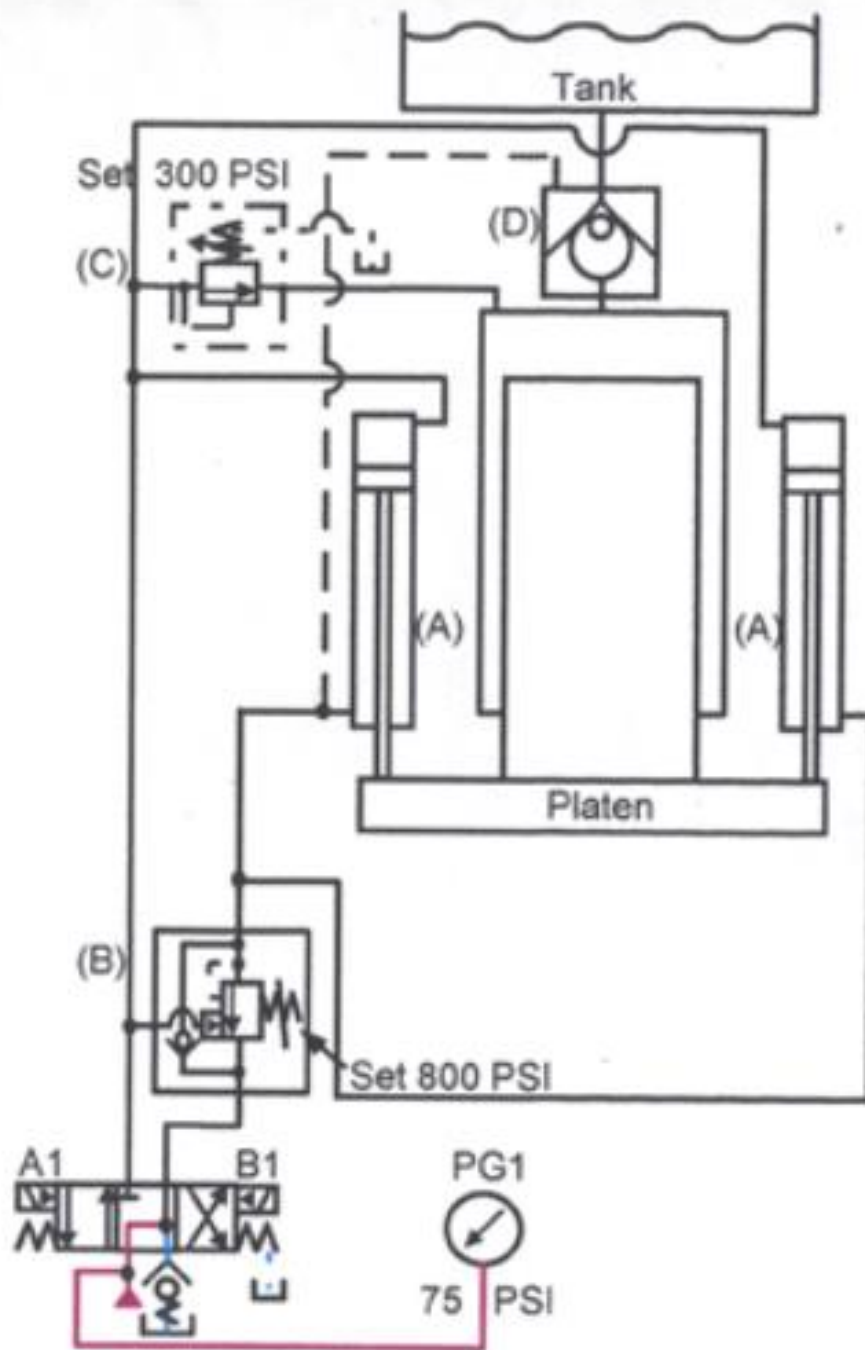




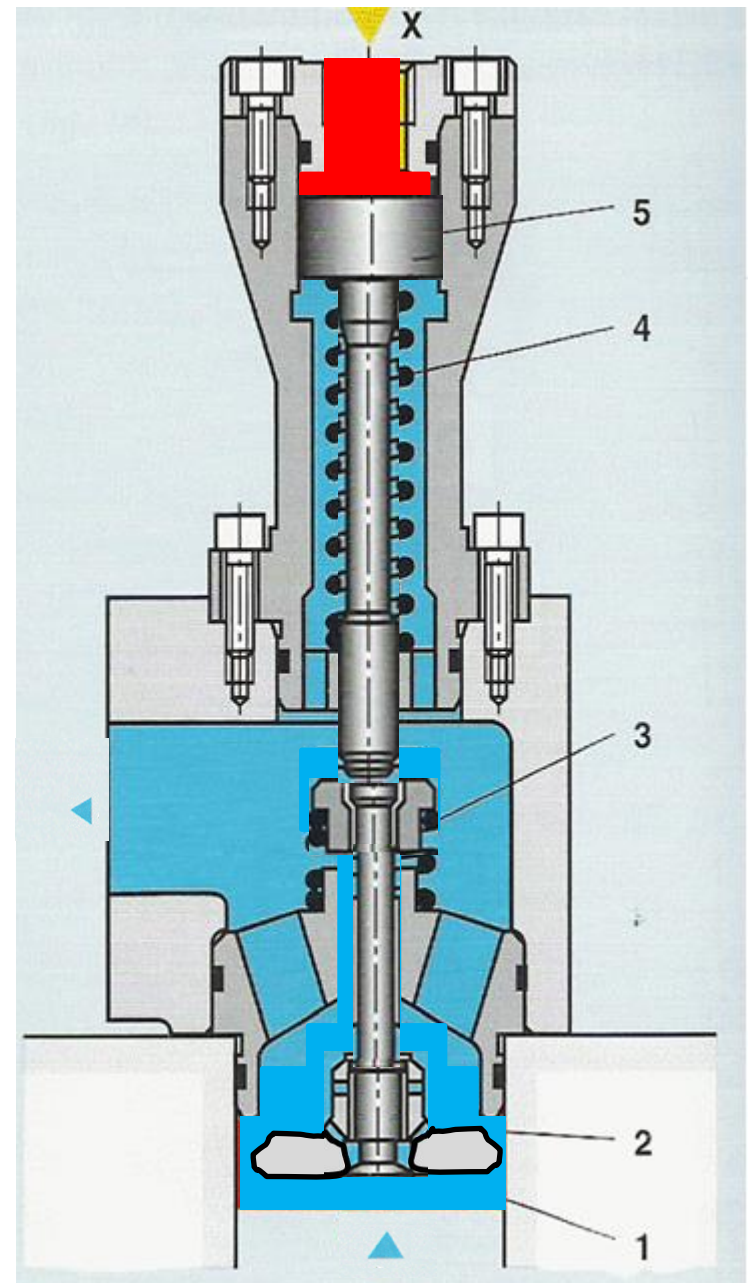
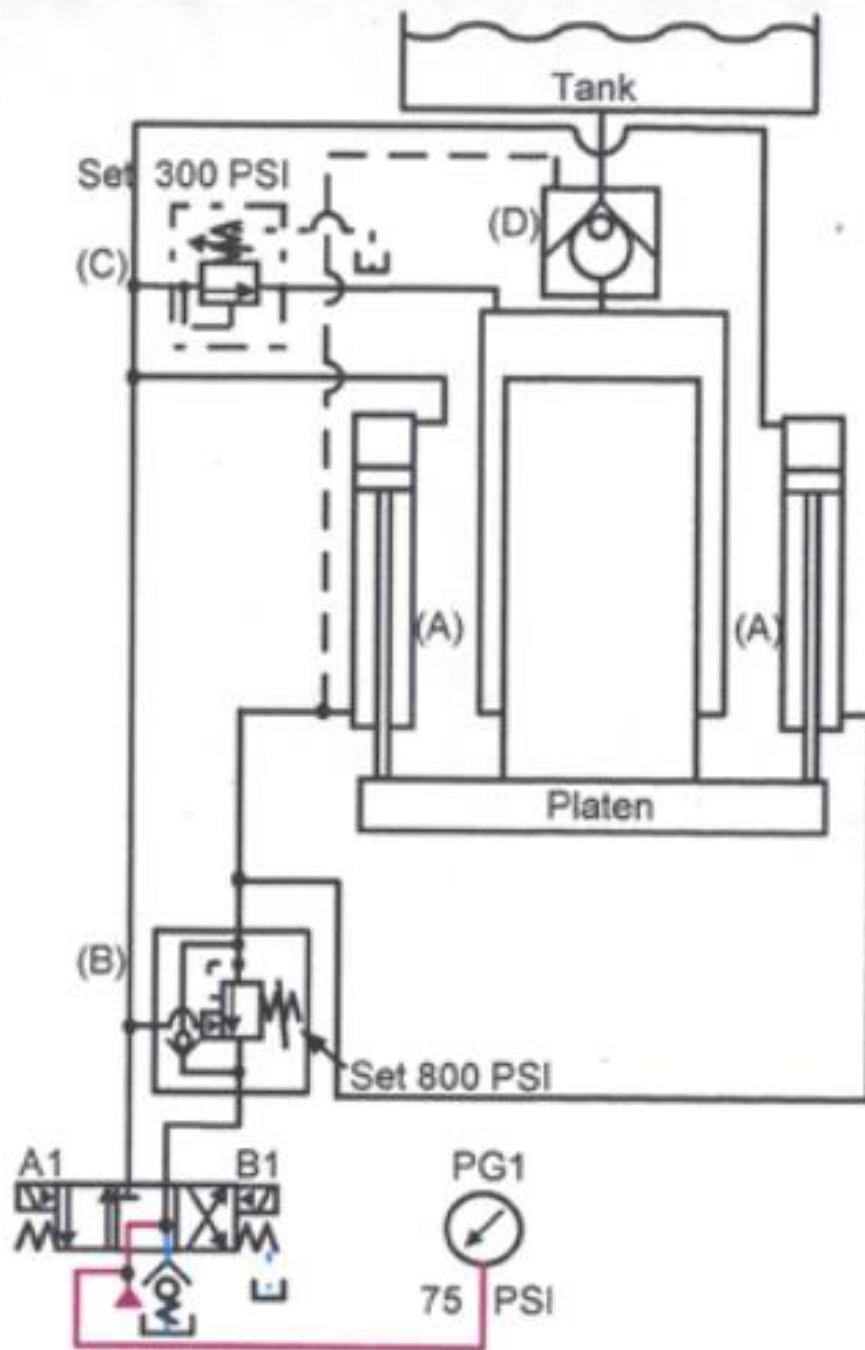




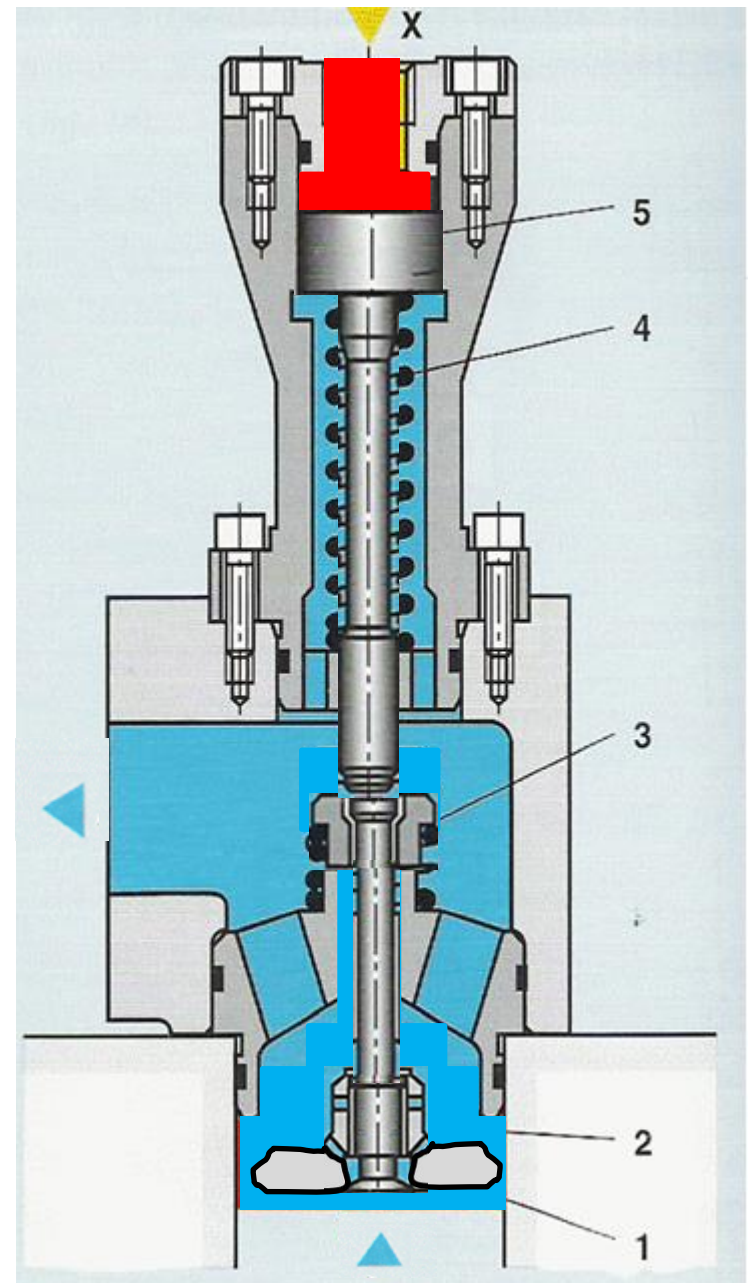
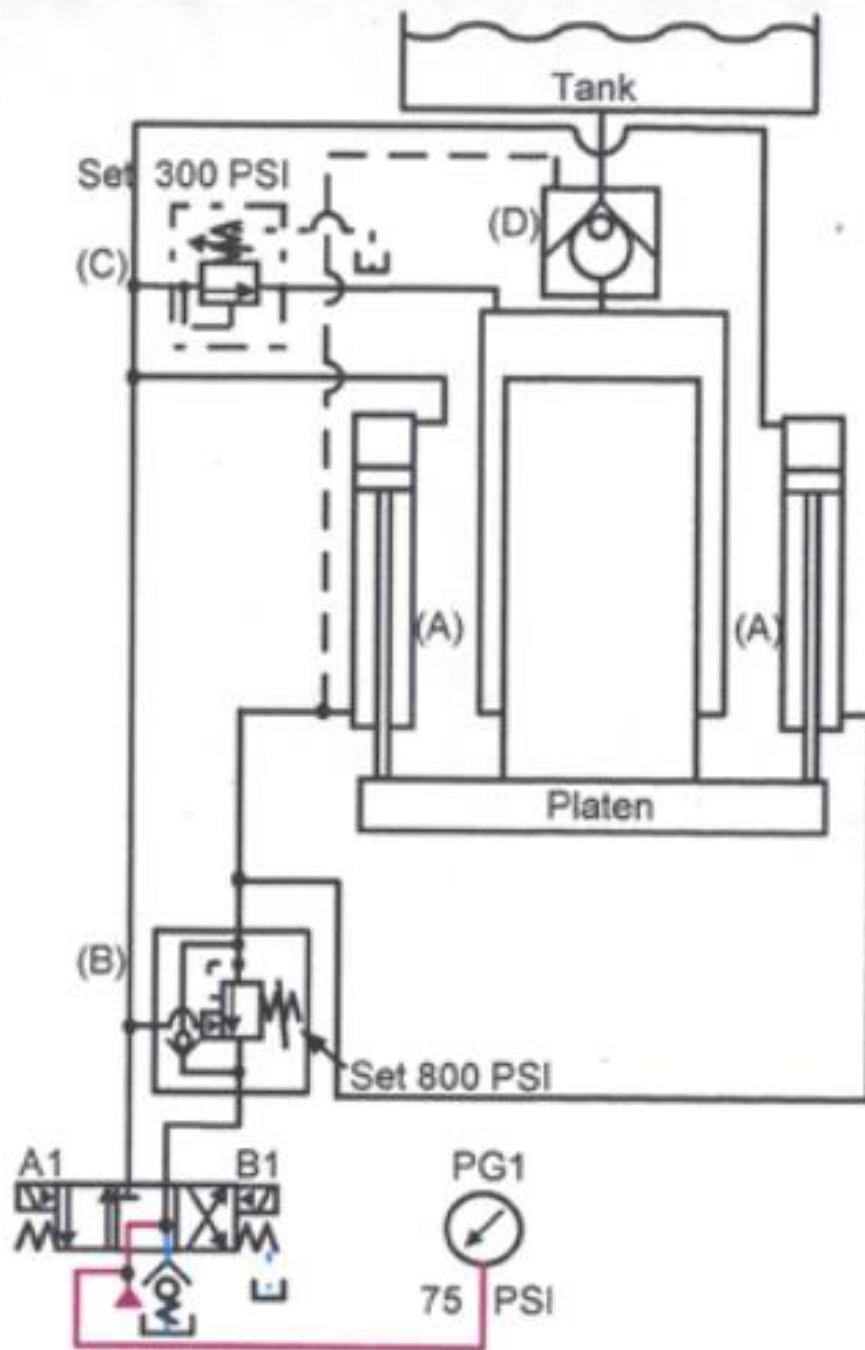


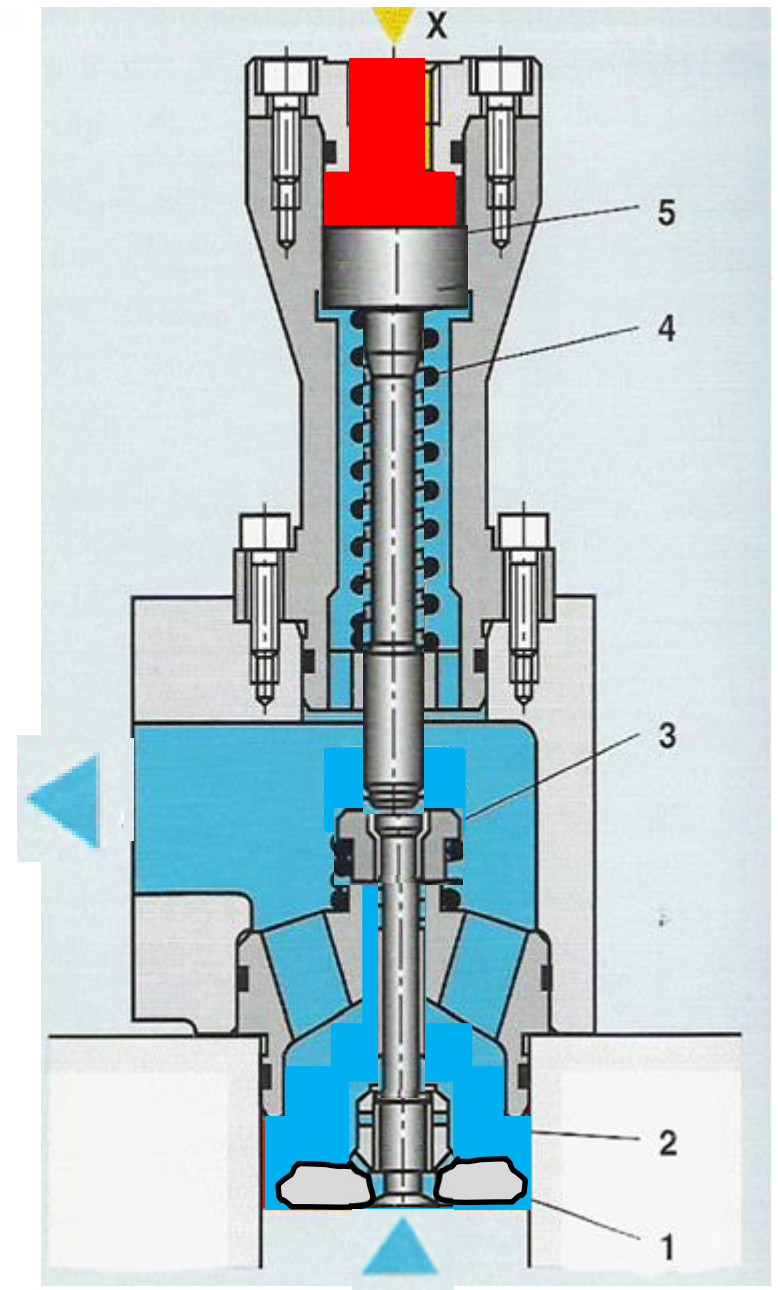
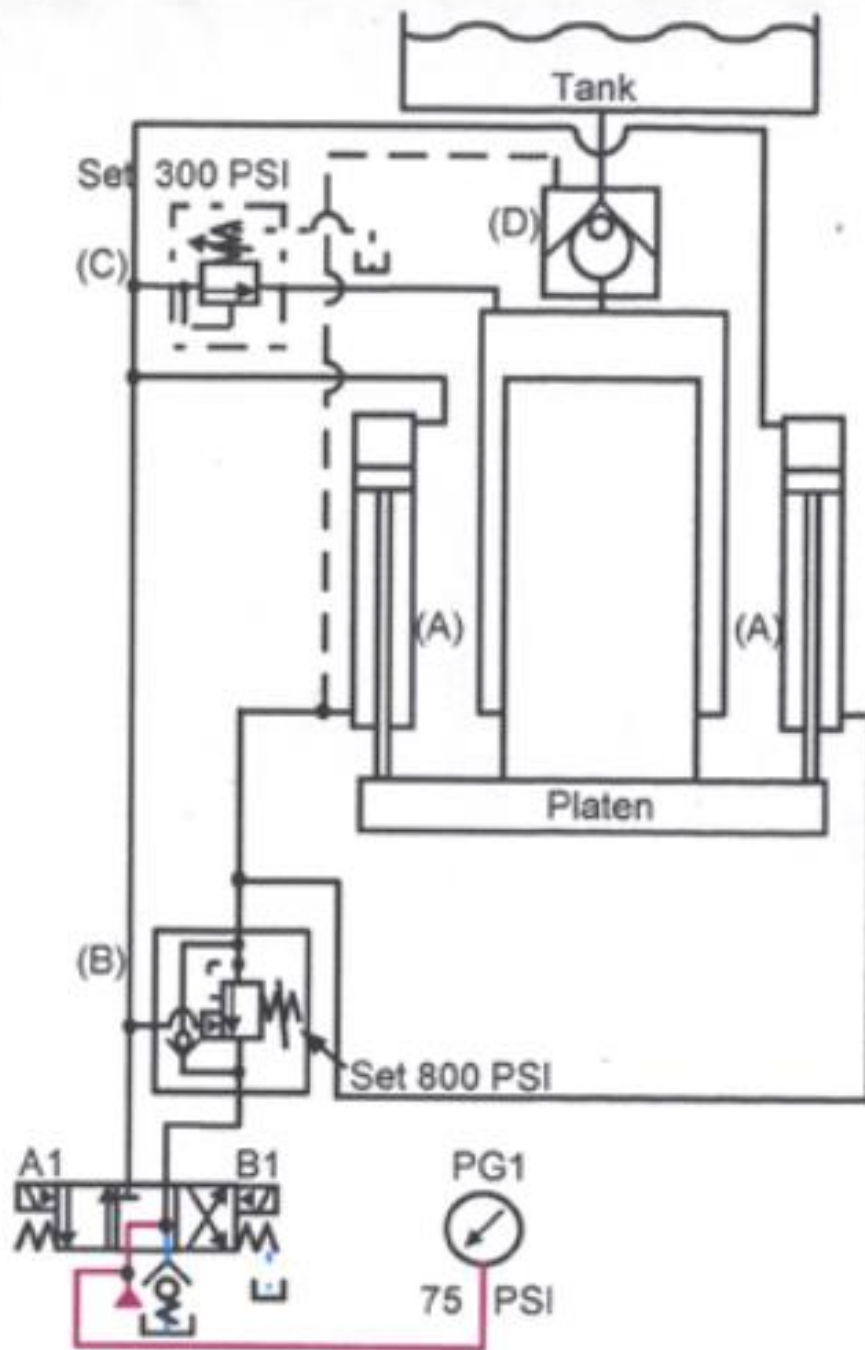


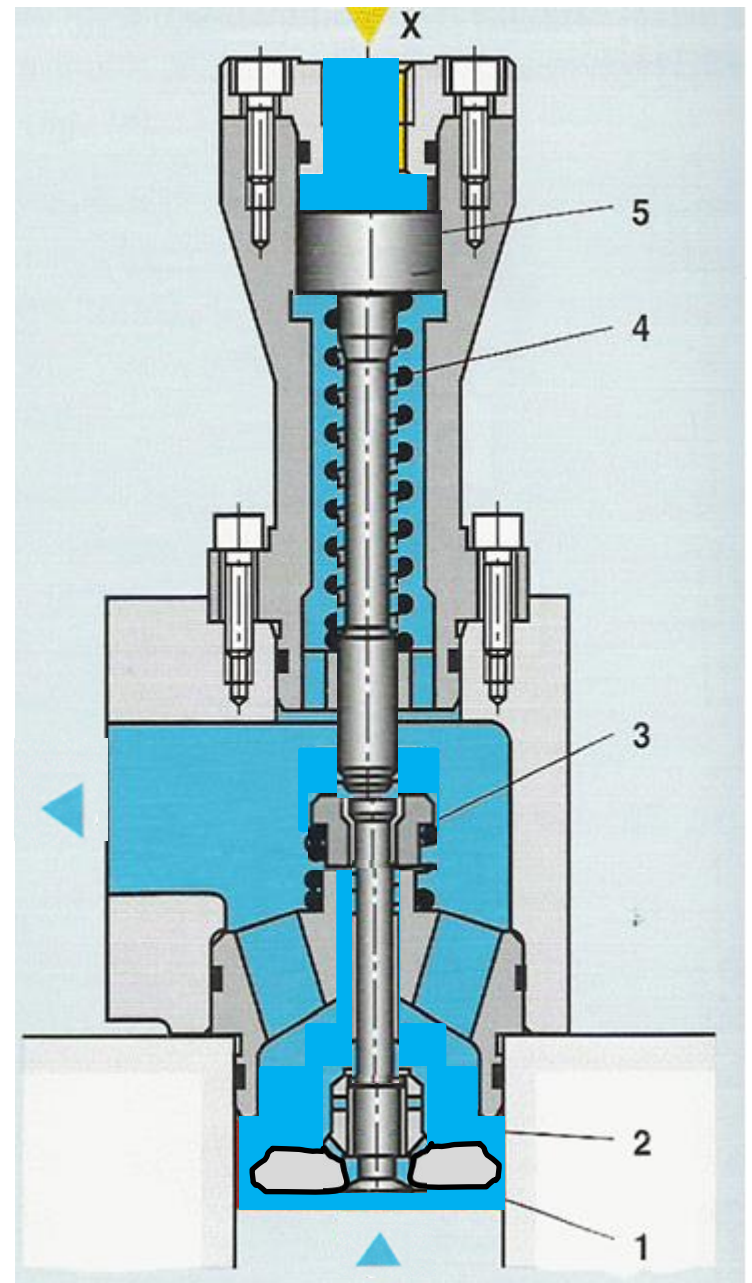
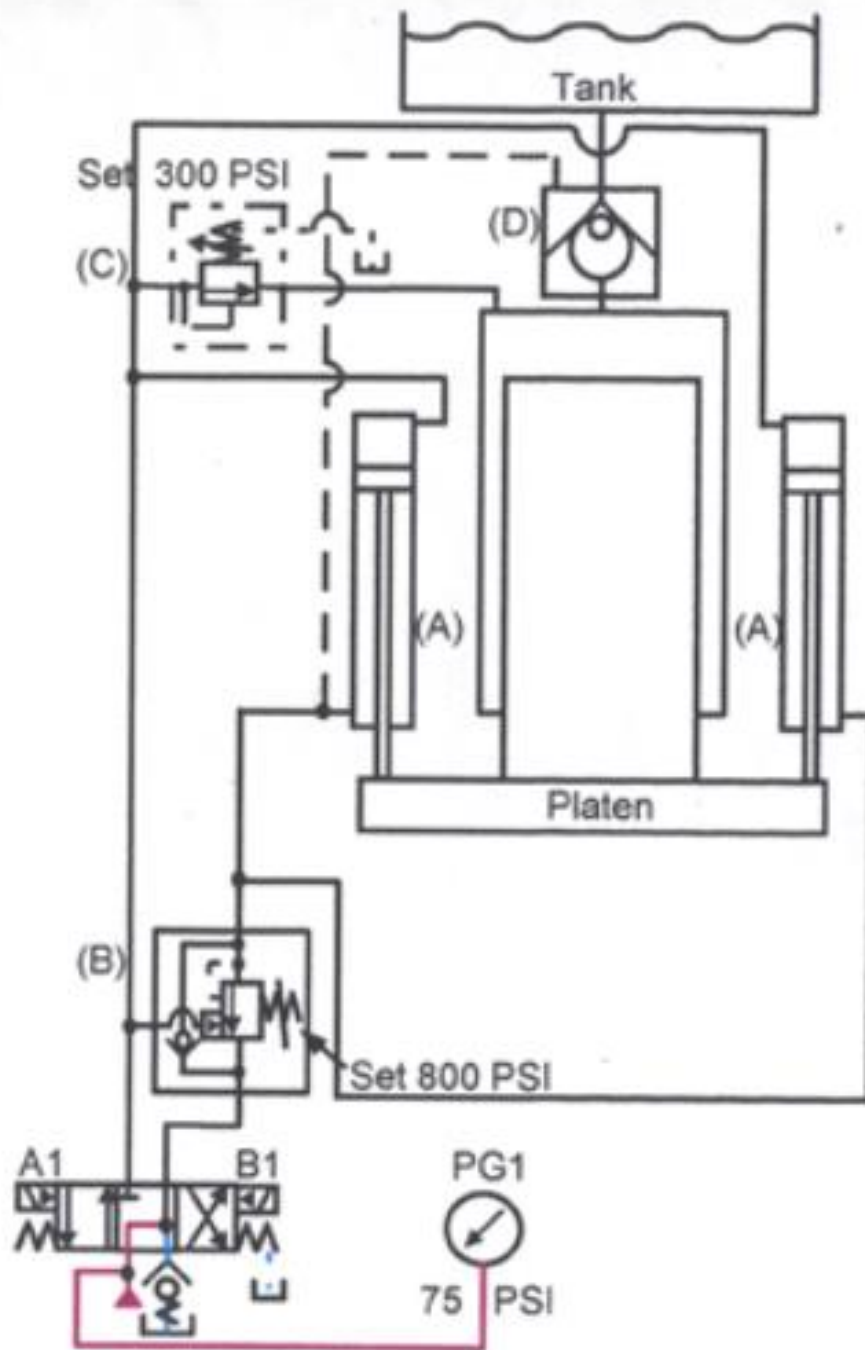




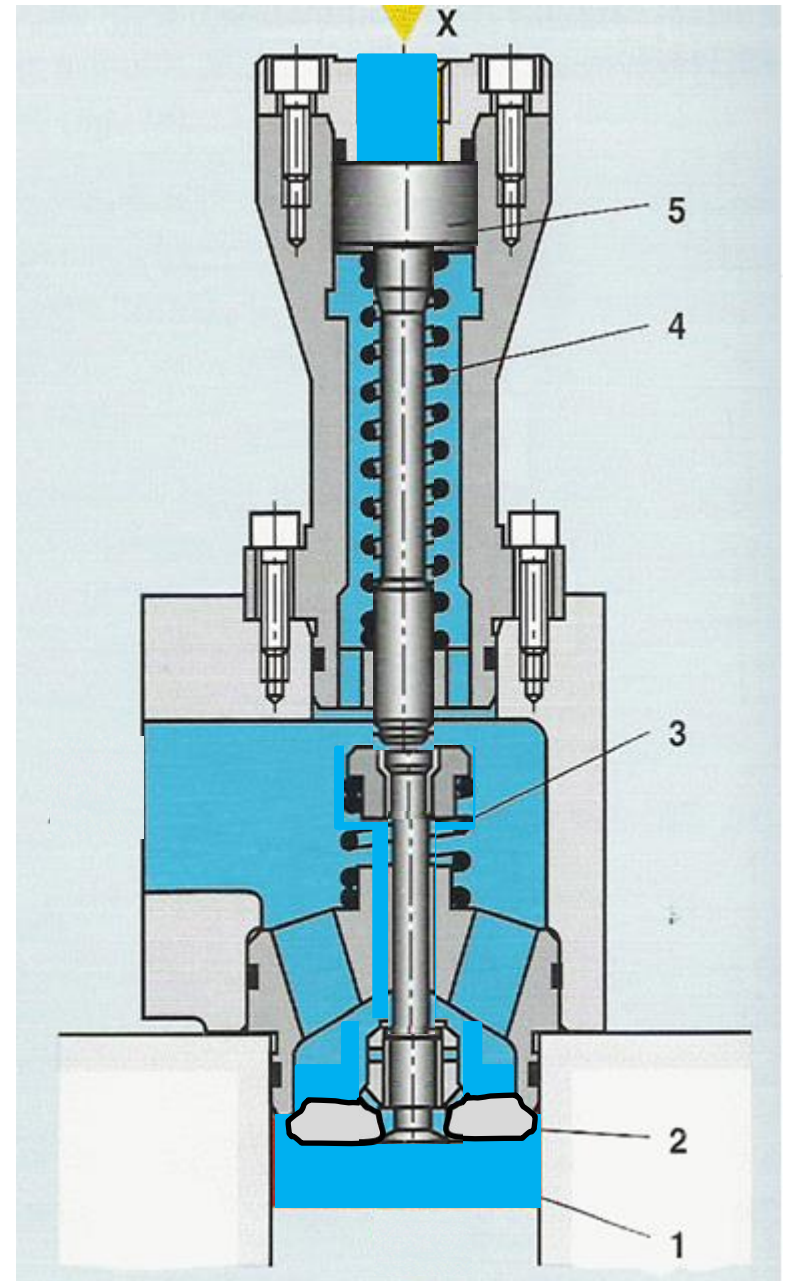
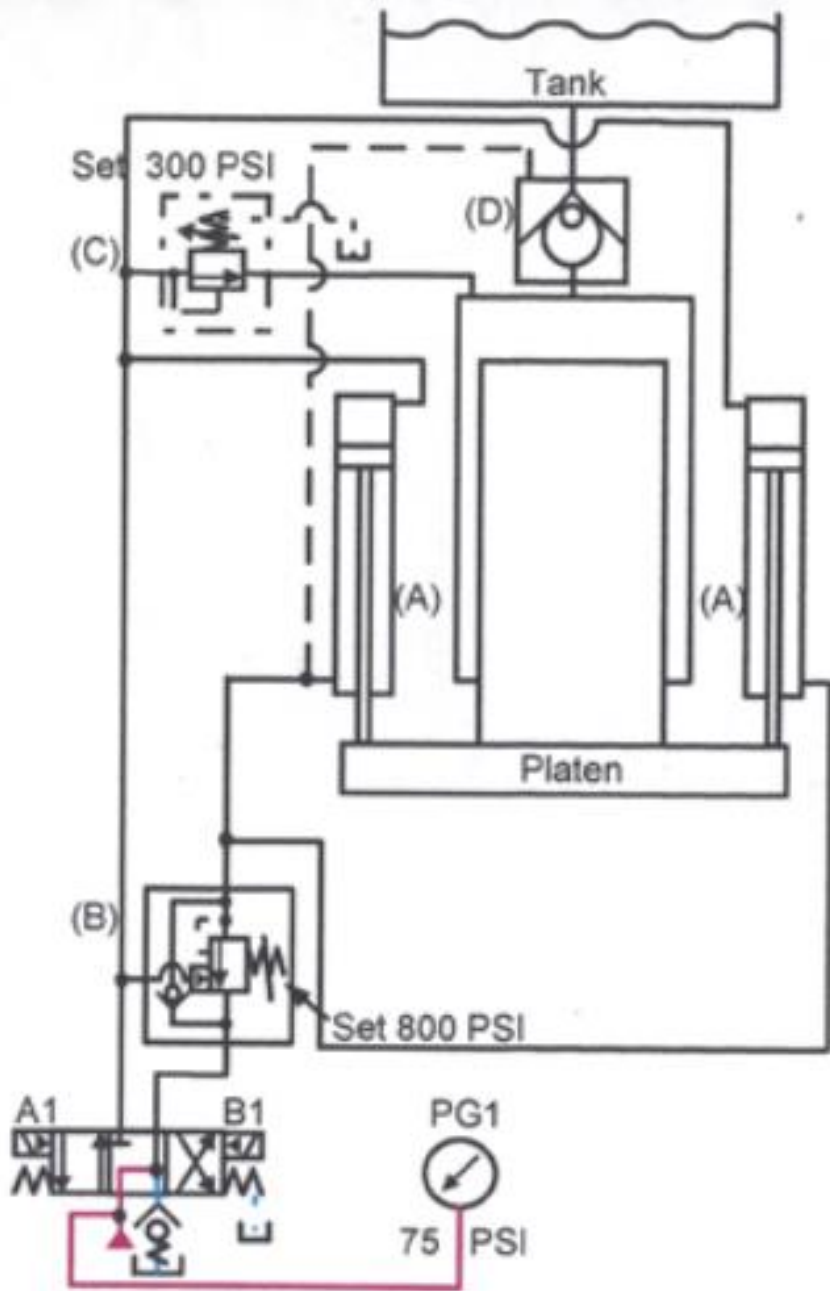














- High tonnage press

