

Air Conditioning
Technical Data

RXP-M



TABLE OF CONTENTS

RXP-M

1	Features	2
2	Specifications	3
	Capacity and Power input	3
	Technical Specifications	5
	Electrical Specifications	7
3	Electrical data	8
4	Capacity tables	9
	Cooling/Heating Capacity Tables	9
5	Dimensional drawings	12
6	Centre of gravity	13
7	Piping diagrams	15
8	Wiring diagrams	17
	Wiring Diagrams - Single Phase	17
9	Sound data	19
	Sound Pressure Spectrum	19
10	Operation range	22

1 Features

- Outdoor units are fitted with a swing compressor, renowned for its low noise and high energy efficiency
- Daikin outdoor units are neat, sturdy and can easily be mounted on a roof or terrace or simply placed against an outside wall
- Outdoor units for pair application



1

2 Specifications

2-1 Capacity and Power input				FTXP20M/ RXP20M	FTXP25M/ RXP25M	FTXP35M/ RXP35M	FTXP50M/ RXP50M	FTXP60M/ RXP60M	FTXP71M/ RXP71M	
Indoor unit				FTXP20M5V1B	FTXP25M5V1B	FTXP35M5V1B	FTXP50M2V1B	FTXP60M2V1B	FTXP71M2V1B	
Outdoor unit				RXP20M5V1B	RXP25M5V1B	RXP35M5V1B	RXP50M2V1B	RXP60M2V1B	RXP71M2V1B	
Cooling capacity	Min.	kW	1.3			1.7		2.3		
		Btu/h	4,400.0			4,435.8		5,800		
		kcal/h	1,118.0			1,117.8		1,460		
	Nom.	kW	2.00	2.50	3.50	5.0	6.0	7.1		
		Btu/h	6,800.0	8,500.0	11,942.5	17,060	20,472	24,225		
		kcal/h	1,720.0	2,150.0	3,009.5	4,295	5,154	6,099		
	Max.	kW	2.6	3.0	4.0	6.0	7.0	7.3		
		Btu/h	8,900.0	10,200.0	13,648.6	20,472	23,884	24,908		
		kcal/h	2,236.0	2,580.0	3,439.4	5,154	6,013	6,271		
Heating capacity	Min.	kW	1.30			1.7		2.3		
		Btu/h	4,400.0			4,435.8		5,800		
		kcal/h	1,110.0			1,117.8		1,460		
	Nom.	kW	2.50	3.00	4.00	6.0	7.0	8.2		
		Btu/h	8,500.0	10,200.0	13,648.6	20,472	23,884	27,978		
		kcal/h	2,150.0	2,580.0	3,439.4	5,154	6,013	7,044		
	Max.	kW	3.50	4.00	4.80	7.7	8.0	9.0		
		Btu/h	11,900.0	13,600.0	16,378.3	26,272	27,296	30,708		
		kcal/h	3,009.0	3,439.0	4,127.3	6,614	6,872	7,731		
Power input	Cooling	Min.	kW	0.31		0.29	0.320	0.332	0.449	
		Nom.	kW	0.50	0.65	1.01	1.385	1.824	2.689	
		Max.	kW	0.72		1.30	1.826	2.980	3.274	
	Heating	Min.	kW	0.25		0.29	0.440	0.456	0.617	
		Nom.	kW	0.52	0.69	1.00	1.579	1.928	2.571	
		Max.	kW	0.95		1.29	2.356	2.787	3.306	
Space cooling	Capacity	Pdesign	kW	2.00	2.50	3.50	5.0	6.0	7.1	
	Energy efficiency class			A++						
	SEER			6.79	6.92	6.62	7.30	6.82	6.20	
	Annual energy consumption			kWh/a	103	126	186	240	308	401
	A Condition (35°C - 27/19)	Pdc	kW	2.00	2.50	3.50	5.00	6.00	7.10	
		EERd		4.02	3.83	3.49	3.61	3.29	2.64	
		Power input	kW	0.50	0.65	1.01	1.39	1.82	2.69	
	B Condition (30°C - 27/19)	Pdc	kW	1.47	1.84	2.58	3.68	4.42	5.23	
		EERd		5.12	5.19	4.40	5.07	4.82	4.15	
		Power input	kW	0.29	0.35	0.59	0.73	0.92	1.26	
	C Condition (25°C - 27/19)	Pdc	kW	1.24	1.45	1.66	2.37	2.84	3.36	
		EERd		8.51	8.54	8.09	8.90	7.99	8.50	
		Power input	kW	0.15	0.17	0.21	0.27	0.36	0.40	
	D Condition (20°C - 27/19)	Pdc	kW	1.32	1.34	1.36	2.12	2.39	2.60	
EERd			13.15	13.19	13.38	13.9	13.5	10.4		
Power input		kW	0.10			0.15	0.18	0.25		

2 Specifications

2-1 Capacity and Power input				FTXP20M/ RXP20M	FTXP25M/ RXP25M	FTXP35M/ RXP35M	FTXP50M/ RXP50M	FTXP60M/ RXP60M	FTXP71M/ RXP71M
Space heating (Average climate)	Capacity	Pdesign	kW	2.20	2.40	2.80	4.60	4.80	6.20
	Energy efficiency class			A++			A+		
	SCOP/A			4.65	4.61	4.64	4.40	4.10	4.01
	SCOPnet/A			4.69	4.65	4.68	4.42	4.12	4.04
	Pdh Heating capacity at -10°		kW	1.99	2.10	2.33	4.12	4.24	5.02
	Annual energy consumption		kWh/a	662	728	845	1,463	1,638	2,166
	Required back up heating cap at design conditions		kW	0.21	0.30	0.47	0.48	0.56	1.18
	TOL	Tol (temperature operating limit)	°C	-15					
		Pdh (declared heating cap)	kW	2.05	2.07	2.09	4.20	4.22	4.24
		COPd (declared COP)		2.24	2.26	2.28	2.06	1.81	1.96
		Power input	kW	0.92			2.04	2.33	2.16
	TBivalent	Tbiv (bivalent temperature)	°C	-7					
		Pdh (declared heating cap)	kW	1.95	2.12	2.48	4.07	4.25	5.48
		COPd (declared COP)		3.26	3.22	3.19	2.76	2.25	2.26
		Power input	kW	0.60	0.66	0.78	1.47	1.89	2.42
	A Condition (-7°C)	Pdh (declared heating cap)	kW	1.95	2.12	2.48	4.07	4.25	5.48
		COPd (declared COP)		3.26	3.22	3.19	2.76	2.25	2.26
		Power input	kW	0.60	0.66	0.78	1.47	1.89	2.42
	B Condition (2°C)	Pdh (declared heating cap)	kW	1.18	1.29	1.51	2.48	2.58	3.34
		COPd (declared COP)		4.65	4.60	4.59	4.40	4.34	4.01
		Power input	kW	0.25	0.28	0.33	0.56	0.59	0.83
	C Condition (7°C)	Pdh (declared heating cap)	kW	0.91	0.93	0.97	1.59	1.66	2.15
		COPd (declared COP)		5.86	5.79	5.84	5.68	5.29	5.50
		Power input	kW	0.16			0.17	0.28	0.31
	D Condition (12°C)	Pdh (declared heating cap)	kW	1.09	1.11	1.13	1.60	2.00	2.07
		COPd (declared COP)		7.50	7.35	7.38	7.11	6.41	7.00
		Power input	kW	0.15			0.23	0.31	0.30
Current	Nominal running current (RLA) - 50Hz	Cooling	A	2.93	3.01	5.42	6.3	8.0	11.8
		Heating	A	2.50	3.16	5.03	7.1	8.5	11.3
Cooling	Cdc (Degradation cooling)		0.25						
Heating	Cdh (Degradation heating)		0.25						
Cooling function included			Yes						
Heating function included			Yes						
Average climate included			Yes						
Cold season included			No			-			
Warm season included			Yes						
Ecolabel logo			No			-			
Eurovent	Sound power level outdoor	Cooling	Nom.	dBa	60	62	61	63	66
	Sound power level indoor	Cooling	Nom.	dBa	55	58	59	60	62
	Piping length	Cooling	Measuring condition	m	5.0				
Nominal efficiency	EER			4.02	3.83	3.49	3.61	3.29	2.64
	COP			4.77	4.36	4.02	3.80	3.63	3.19
	Annual energy consumption		kWh	249	326	-	693 (1)	912 (1)	1,345 (1)
	Energy labeling Directive	Cooling	A						-
Heating		A						-	

2 Specifications

2-1 Capacity and Power input				FTXP20M/ RXP20M	FTXP25M/ RXP25M	FTXP35M/ RXP35M	FTXP50M/ RXP50M	FTXP60M/ RXP60M	FTXP71M/ RXP71M	
Power consumption in other than active mode	Thermostat-off mode	PTO	Cooling	W			12		13	15
			Heating	W			12		14	
	Crankcase heater mode	PCK		W			0.0			
	Off mode	POFF		W			1.0			
	Standby mode	Cooling	PSB	W			1.0			
Heating		PSB	W			1.0		-		
Power factor	Nominal	Cooling	%	74.3 (1)	94.0 (1)	81.9 (1)	95.6 (1)	99.1 (1)		
		Heating	%	90.5 (1)	94.8 (1)	86.0 (1)	96.7 (1)	99.2 (1)	98.9 (1)	
Space heating (Warm climate)	Capacity	Pdesignh		kW	1.18	1.29	1.51	2.48	2.58	3.34
	Energy efficiency class				A+++					
	SCOP				5.65	5.63	5.79	5.70	5.20	5.57
	SCOPnet				5.83	5.79	5.93	5.79	5.27	5.64
	Annual energy consumption			kWh/a	293	321	366	609	695	839
	Required back up heating cap at design conditions			kW	0.00					
	TOL	Tol (temperature operating limit)	°C		-15					
			Pdh (declared heating cap)	kW	2.05	2.07	2.09	4.20	4.22	4.24
			COPd (declared COP)		2.24	2.26	2.28	2.06	1.81	1.96
			Power input	kW	0.92			2.04	2.33	2.16
	TBivalent	Tbiv (bivalent temperature)	°C		2					
			Pdh (declared heating cap)	kW	1.18	1.29	1.51	2.48	2.58	3.34
			COPd (declared COP)		4.66	4.61	4.59	4.40	4.34	4.01
			Power input	kW	0.25	0.28	0.33	0.56	0.59	0.83
	B Condition (2°C)	Pdh (declared heating cap)	kW	1.18	1.29	1.51	2.48	2.58	3.34	
			COPd (declared COP)		4.65	4.60	4.59	4.40	4.34	4.01
			Power input	kW	0.25	0.28	0.33	0.56	0.59	0.83
C Condition (7°C)	Pdh (declared heating cap)	kW	0.91	0.93	0.97	1.59	1.66	2.15		
		COPd (declared COP)		5.86	5.79	5.84	5.68	5.29	5.50	
		Power input	kW	0.16		0.17	0.28	0.31	0.39	
D Condition (12°C)	Pdh (declared heating cap)	kW	1.09	1.11	1.13	1.60	2.00	2.07		
		COPd (declared COP)		7.50	7.35	7.38	7.11	6.41	7.00	
		Power input	kW	0.15			0.23	0.31	0.30	

Notes

(1) See separate drawing for electrical data

Nominal cooling capacities are based on: indoor temperature: 27°CDB, 19°CWB, outdoor temperature: 35°CDB, equivalent refrigerant piping: 5m, level difference: 0m.

Nominal heating capacities are based on: indoor temperature: 20°CDB, outdoor temperature: 7°CDB, 6°CWB, equivalent refrigerant piping: 5m, level difference: 0m.

2-2 Technical Specifications				RXP20M	RXP25M	RXP35M	RXP50M	RXP60M	RXP71M
Capacity control	Method			Variable (inverter)					
Casing	Colour			Ivory white					
Dimensions	Unit	Height	mm	550			734		
		Width	mm	658			870		
		Depth	mm	275			373		
	Packed unit	Height	mm	630			820		
		Width	mm	790			1,050		
		Depth	mm	400			480		
Weight	Unit		kg	26	28	46.0	50.0		
	Packed unit		kg	28	30	50.0	54.0		
Packing	Weight			2			4.0		

2 Specifications

2-2 Technical Specifications				RXP20M	RXP25M	RXP35M	RXP50M	RXP60M	RXP71M	
Heat exchanger	Length		mm	670		647	943	920		
	Rows	Quantity		1		2	1	2		
	Fin pitch		mm	1.40						
	Stages	Quantity		24			32			
	Passes	Quantity		1.6		3.1	2.0			
	Tube type		ø7 Hi-XD							
	Tube material		Copper							
	Fin	Type		Waffle fin (PE)						
Compressor	Model			1YC25KXD#D			2YC40JXD#C			
	Oil Amount		cm ³	375			650			
	Type			Hermetically sealed swing compressor						
	Output		W	870			1,300			
	Oil Type			FW68DA						
Fan	Type			Propeller			Propeller fan			
	Air flow rate	Cooling	High	m ³ /min	27.6		28.2	-		
				cfm	975		996	-		
		Nom.	High	m ³ /min	-			41.0	45.5	
				cfm	-			1,447	1,608	
	Heating	High	High	m ³ /min	27.1	28.0	26.8	-		
				cfm	957	990	946	-		
		Nom.	High	m ³ /min	-			43.2	45.3	46.5
			cfm	-			1,527	1,600	1,643	
Fan motor	Model			ZWA138S28A			D55F-31			
	Insulation grade			Class "E"						
	Output		W	21			55			
	Speed	Cooling	High	rpm	840			740	760	
			Nom.	rpm	-			710	740	
			Low	rpm	700			680	740	
		Heating	High	rpm	870	900	840	710	740	760
			Nom.	rpm	-			710	740	760
Low			rpm	720			630	660		
Sound power level	Cooling		dBA	60		62	61	63	66	
	Heating		dBA	61		62	61	63	65	
Sound pressure level	Cooling	High	dBA	46		48	-			
		Nom.	dBA	-			47	49	52	
	Heating	High	dBA	47		48	-			
		Nom.	dBA	-			49		52	
Refrigerant	Type			R-32						
	Charge		kg	0.55		0.70	0.90	1.15		
			TCO _{2eq}	0.37		0.48	0.61	0.78		
	GWP			675.0						
Piping connections	Liquid	OD	mm	6,35			6,4			
	Gas	OD	mm	9.5			12.7			
	Drain	OD	mm	18			16			
	Piping length	OU - IU	Max.	m			15			
	Additional refrigerant charge			kg/m 0.02 (for piping length exceeding 10m)						
	Level difference	IU - OU	Max.	m			12			
	Heat insulation			-						
			Both liquid and gas pipes							

- Standard Accessories : Drain plug; Quantity : 1;
- Standard Accessories : Installation manual; Quantity : 1;
- Standard Accessories : Refrigerant charge label; Quantity : 1;
- Standard Accessories : Multilingual fluorinated greenhouse gases labels; Quantity : 1;
- Standard Accessories : General safety precautions; Quantity : 1;
- Standard Accessories : Drain cap (1); Quantity : 6;
- Standard Accessories : Drain cap (2); Quantity : 3;

2 Specifications

2-3 Electrical Specifications			RXP20M	RXP25M	RXP35M	RXP50M	RXP60M	RXP71M
Power supply	Phase		1~					
	Frequency	Hz	50					
	Voltage	V	220-240					
Wiring connections	For power supply	Quantity	3					
		Remark	Earth wire included					
	For connection with indoor	Quantity	4					
		Remark	Earth wire included					

Notes

See separate drawing for operation range

See separate drawing for electrical data

Contains fluorinated greenhouse gases

3 Electrical data

3 - 1 Electrical Data

3

FTXP20-35M / RXP20-35M

Unit combination restrictions		Power supply				COMP		OFM		IFM		
Indoor unit	Outdoor unit	①	②	③	MCA	MFA	RHz	RLA	kW	FLA	kW	FLA
FTXP20M5V1B	RXP20M5V1B	50	220	MAX. 50Hz 264V MIN. 50Hz 198V	10,4	16	32,0	2,4	0,024	0,17	0,024	0,34
		50	230					2,3				
		50	240					2,2				
FTXP25M5V1B	RXP25M5V1B	50	220	MAX. 50Hz 264V MIN. 50Hz 198V	10,4	16	44,0	2,9	0,024	0,17	0,024	0,34
		50	230					2,7				
		50	240					2,6				
FTXP35M5V1B	RXP35M5V1B	50	220	MAX. 50Hz 264V MIN. 50Hz 198V	10,4	16	70,0	4,7	0,021	0,16	0,037	0,45
		50	230									
		50	240									
ATXP20M5V1B	ARXP20M5V1B	50	220	MAX. 50Hz 264V MIN. 50Hz 198V	10,4	16	32,0	2,4	0,024	0,17	0,024	0,34
		50	230					2,3				
		50	240					2,2				
ATXP25M5V1B	ARXP25M5V1B	50	220	MAX. 50Hz 264V MIN. 50Hz 198V	10,4	16	44,0	2,9	0,024	0,17	0,024	0,34
		50	230					2,7				
		50	240					2,6				
ATXP35M5V1B	ARXP35M5V1B	50	220	MAX. 50Hz 264V MIN. 50Hz 198V	10,4	16	70,0	4,7	0,021	0,16	0,037	0,45
		50	230									
		50	240									

Symbols

- ① Hz
- ② Voltage
- ③ Voltage range
- MCA Minimum Circuit Ampere [A]
- MFA Maximum Fuse Ampere [A]
- RLA Rated load amps [A]
- COMP Compressor
- OFM Outdoor fan motor
- IFM Indoor fan motor
- FLA Full Load Ampere [A]
- kW Fan motor rated output [kW]
- RHz Rated operating frequency [Hz]

Notes

1. The -RLA- is based on the following conditions.
Indoor temperature -27°C DB / -19°C WB
Outdoor temperature -35°C DB
2. Select the wire size according to the MCA.
3. The maximum allowable voltage that is unbalanced between phases is -2%.
4. Use a circuit breaker instead of a fuse.

3D121482

FTXP50-71M / RXP50-71M

Unit combination restrictions		Power supply				COMP		OFM		IFM		
Outdoor unit	Indoor unit	Hz	Voltage	Voltage range	MCA	MFA	RHz	RLA	kW	FLA	kW	FLA
RXP50M2V1B	FTXP50M2V1B	50	220	MAX. 50Hz 264V MIN. 50Hz 198V	14,5	16	54	6,5	0,056	0,37	0,045	0,43
		50	230					6,3				
		50	240					6,1				
RXP60M2V1B	FTXP60M2V1B	50	220	MAX. 50Hz 264V MIN. 50Hz 198V	15,7	16	66	8,1	0,056	0,37	0,049	0,46
		50	230					8,0				
		50	240					7,9				
RXP71M2V1B	FTXP71M2V1B	50	220	MAX. 50Hz 264V MIN. 50Hz 198V	15,7	16	84	11,9	0,056	0,37	0,049	0,46
		50	230					11,8				
		50	240					11,7				

Notes

- 1) The -RLA- is based on the following conditions.
Outdoor temperature -35°C DB
Indoor temperature -27°C DB / -19°C WB
- 2) Select the wire size according to the MCA.
- 3) The maximum allowable voltage that is unbalanced between phases is -2%.
- 4) Use a circuit breaker instead of a fuse.

Symbols

- MCA: Minimum Circuit Ampere [A]
- MFA: Maximum Fuse Ampere [A]
- RLA: Rated load amps [A]
- OFM: Outdoor fan motor
- IFM: Indoor fan motor
- FLA: Full Load Ampere [A]
- kW: Fan motor rated output [kW]
- RHz: Rated operating frequency [Hz]

3D120329

8

4 Capacity tables

4 - 1 Cooling/Heating Capacity Tables

FTXP20M / RXP20M

Cooling ·50· Hz ·230· V

AFR	9,5
BF	0,11

Indoor temperature		Outdoor temperature [°C DB]																	
EWB °C	EDB °C	20			25			30			32			35			40		
		TC	SHC	PI	TC	SHC	PI	TC	SHC	PI	TC	SHC	PI	TC	SHC	PI	TC	SHC	PI
14,0	20	2,05	1,80	0,39	1,96	1,76	0,42	1,86	1,72	0,46	1,83	1,70	0,48	1,77	1,67	0,50	1,68	1,63	0,53
16,0	22	2,14	1,77	0,39	2,05	1,73	0,43	1,95	1,69	0,46	1,92	1,68	0,48	1,86	1,65	0,50	1,77	1,61	0,54
18,0	25	2,23	1,89	0,39	2,14	1,86	0,43	2,05	1,82	0,46	2,01	1,81	0,48	1,95	1,78	0,50	1,86	1,75	0,54
19,0	27	2,28	2,03	0,39	2,19	2,00	0,43	2,09	1,96	0,47	2,06	1,95	0,48	2,00	1,93	0,50	1,91	1,89	0,54
22,0	30	2,42	1,97	0,39	2,32	1,94	0,43	2,23	1,91	0,47	2,19	1,90	0,48	2,14	1,88	0,51	2,05	1,85	0,54
24,0	32	2,51	1,93	0,40	2,42	1,91	0,43	2,32	1,88	0,47	2,29	1,87	0,49	2,23	1,85	0,51	2,14	1,82	0,55

Heating ·50· Hz ·230· V

AFR	10,4
-----	------

Indoor temperature		Outdoor temperature [°C WB]											
EDB °C	°C	-15		-10		-5		0		6		10	
		TC	PI	TC	PI	TC	PI	TC	PI	TC	PI	TC	PI
15,0	15,0	1,19	0,34	1,43	0,35	1,67	0,37	1,92	0,49	2,59	0,51	2,81	0,53
20,0	20,0	1,12	0,35	1,36	0,36	1,60	0,38	1,84	0,50	2,50	0,52	2,73	0,54
22,0	22,0	1,09	0,35	1,33	0,37	1,57	0,38	1,81	0,50	2,47	0,53	2,69	0,55
24,0	24,0	1,06	0,35	1,30	0,37	1,54	0,39	1,78	0,51	2,43	0,53	2,66	0,55
25,0	25,0	1,04	0,36	1,28	0,37	1,52	0,39	1,76	0,51	2,41	0,54	2,64	0,55
27,0	27,0	1,01	0,36	1,25	0,38	1,49	0,39	1,74	0,51	2,38	0,54	2,61	0,56

Symbols

- AFR: Air flow rate [m³/min]
- BF: Bypass factor
- EWB: Entering wet-bulb temperature (°C WB)
- EDB: Entering dry-bulb temperature (°C DB)
- TC: Total capacity [kW]
- SHC: Sensible heat capacity [kW]
- PI: Power input [kW]

Notes

- The ratings shown are net capacities which include a deduction for indoor fan motor heat.
- The bold cells indicate the standard conditions.
Rated operating frequency [Hz]
- The capacities are based on the following conditions:
Corresponding refrigerant piping length: ·5· m-
Level difference: ·0· m
- The air flow rate and bypass factor are mentioned in the table.

3D122037

FTXP25M / RXP25M

Cooling ·50· Hz ·220-240· V

AFR	9,5
BF	0,11

Indoor temperature		Outdoor temperature [°C DB]																	
EWB °C	EDB °C	20			25			30			32			35			40		
		TC	SHC	PI	TC	SHC	PI	TC	SHC	PI	TC	SHC	PI	TC	SHC	PI	TC	SHC	PI
14,0	20	2,05	1,80	0,39	1,96	1,76	0,42	1,86	1,72	0,46	1,83	1,70	0,48	1,77	1,67	0,50	1,68	1,63	0,53
16,0	22	2,14	1,77	0,39	2,05	1,73	0,43	1,95	1,69	0,46	1,92	1,68	0,48	1,86	1,65	0,50	1,77	1,61	0,54
18,0	25	2,23	1,89	0,39	2,14	1,86	0,43	2,05	1,82	0,46	2,01	1,81	0,48	1,95	1,78	0,50	1,86	1,75	0,54
19,0	27	2,28	2,03	0,39	2,19	2,00	0,43	2,09	1,96	0,47	2,06	1,95	0,48	2,00	1,93	0,50	1,91	1,89	0,54
22,0	30	2,42	1,97	0,39	2,32	1,94	0,43	2,23	1,91	0,47	2,19	1,90	0,48	2,14	1,88	0,51	2,05	1,85	0,54
24,0	32	2,51	1,93	0,40	2,42	1,91	0,43	2,32	1,88	0,47	2,29	1,87	0,49	2,23	1,85	0,51	2,14	1,82	0,55

Heating ·50· Hz ·220-240· V

AFR	10,4
-----	------

Indoor temperature		Outdoor temperature [°C WB]											
EDB °C	°C	-15		-10		-5		0		6		10	
		TC	PI	TC	PI	TC	PI	TC	PI	TC	PI	TC	PI
15,0	15,0	1,19	0,34	1,43	0,35	1,67	0,37	1,92	0,49	2,59	0,51	2,81	0,53
20,0	20,0	1,12	0,35	1,36	0,36	1,60	0,38	1,84	0,50	2,50	0,52	2,73	0,54
22,0	22,0	1,09	0,35	1,33	0,37	1,57	0,38	1,81	0,50	2,47	0,53	2,69	0,55
24,0	24,0	1,06	0,35	1,30	0,37	1,54	0,39	1,78	0,51	2,43	0,53	2,66	0,55
25,0	25,0	1,04	0,36	1,28	0,37	1,52	0,39	1,76	0,51	2,41	0,54	2,64	0,55
27,0	27,0	1,01	0,36	1,25	0,38	1,49	0,39	1,74	0,51	2,38	0,54	2,61	0,56

Symbols

- AFR: Air flow rate [m³/min]
- BF: Bypass factor
- EWB: Entering wet-bulb temperature (°C WB)
- EDB: Entering dry-bulb temperature (°C DB)
- TC: Total capacity [kW]
- SHC: Sensible heat capacity [kW]
- PI: Power input [kW]

Notes

- Ratings shown are net capacities which include a deduction for indoor fan motor heat.
- shows nominal (rated) capacities and power input.
- TC, PI and SHC must be calculated by interpolation using the figures in the above tables. (Figures out of the tables should not be used for calculation.)
- About SHC which are not mentioned on the table, please calculate them with around values in direct proportion.
- Capacities are based on the following conditions.
Corresponding refrigerant piping length : 5m
Level difference : 0m
- Air flow rate (AFR) and Bypass factor (BF) are tabulated above table.

3D121478

4 Capacity tables

4 - 1 Cooling/Heating Capacity Tables

4

FTXP35M / RXP35M

Cooling -50· Hz -230· V

AFR	11,5
BF	0,23

Indoor temperature		Outdoor temperature [°C DB]																		
EWB	EDB	20			25			30			32			35			40			
		TC	SHC	PI	TC	SHC	PI	TC	SHC	PI	TC	SHC	PI	TC	SHC	PI	TC	SHC	PI	
°C	°C																			
14,0	20	3,59	2,69	0,77	3,42	2,61	0,85	3,26	2,53	0,91	3,19	2,50	0,94	3,10	2,45	0,99	2,93	2,37	1,06	
16,0	22	3,75	2,65	0,78	3,58	2,57	0,85	3,42	2,49	0,92	3,36	2,47	0,95	3,26	2,42	0,99	3,10	2,35	1,07	
18,0	25	3,91	2,78	0,78	3,75	2,71	0,86	3,58	2,64	0,92	3,52	2,61	0,95	3,42	2,57	1,00	3,26	2,50	1,07	
19,0	27	3,99	2,93	0,78	3,83	2,86	0,86	3,66	2,80	0,92	3,60	2,77	0,95	3,50	2,73	1,00	3,34	2,67	1,08	
22,0	30	4,23	2,83	0,79	4,07	2,77	0,87	3,90	2,71	0,93	3,84	2,69	0,96	3,74	2,65	1,01	3,58	2,59	1,08	
24,0	32	4,39	2,76	0,80	4,23	2,70	0,87	4,07	2,65	0,94	4,00	2,63	0,97	3,90	2,59	1,01	3,74	2,54	1,09	

Heating -50· Hz -230· V

AFR	11,5
-----	------

Symbols

- AFR: Air flow rate [m³/min]
- BF: Bypass factor
- EWB: Entering wet-bulb temperature (°C WB)
- EDB: Entering dry-bulb temperature (°C DB)
- TC: Total capacity [kW]
- SHC: Sensible heat capacity [kW]
- PI: Power input [kW]

Indoor temperature		Outdoor temperature [°C WB]											
EDB	°C	-15		-10		-5		0		6		10	
		TC	PI	TC	PI	TC	PI	TC	PI	TC	PI	TC	PI
15,0	15,0	1,90	0,64	2,29	0,67	2,67	0,71	3,07	0,92	4,14	0,97	4,50	1,01
20,0	20,0	1,79	0,66	2,17	0,69	2,56	0,72	2,95	0,95	4,00	1,00	4,36	1,03
22,0	22,0	1,74	0,67	2,12	0,70	2,51	0,73	2,90	0,95	3,94	1,00	4,31	1,04
24,0	24,0	1,69	0,67	2,08	0,71	2,46	0,74	2,85	0,96	3,89	1,01	4,25	1,05
25,0	25,0	1,67	0,68	2,05	0,71	2,44	0,74	2,83	0,97	3,86	1,02	4,22	1,05
27,0	27,0	1,62	0,68	2,01	0,72	2,39	0,75	2,78	0,98	3,81	1,03	4,17	1,06

Notes

- The ratings shown are net capacities which include a deduction for indoor fan motor heat.
- The bold cells indicate the standard conditions.
Rated operating frequency [Hz]
- The capacities are based on the following conditions:
Corresponding refrigerant piping length: ·5· m
Level difference: ·0· m
- The air flow rate and bypass factor are mentioned in the table.

3D12036

FTXP50M / RXP50M

Cooling -50· Hz -230· V

AFR	16,3
BF	0,27

Indoor temperature		Outdoor temperature [°C DB]																	
EWB	EDB	20			25			30			32			35			40		
		TC	SHC	PI	TC	SHC	PI	TC	SHC	PI	TC	SHC	PI	TC	SHC	PI	TC	SHC	PI
14,0	20	5,12	3,71	1,06	4,89	3,59	1,17	4,66	3,47	1,27	4,56	3,42	1,31	4,42	3,35	1,37	4,19	3,24	1,46
16,0	22	5,35	3,64	1,07	5,12	3,53	1,17	4,89	3,42	1,27	4,79	3,38	1,32	4,65	3,31	1,38	4,42	3,20	1,47
18,0	25	5,58	3,80	1,07	5,35	3,70	1,18	5,12	3,59	1,28	5,02	3,55	1,32	4,88	3,49	1,38	4,65	3,39	1,48
19,0	27	5,70	3,99	1,08	5,47	3,89	1,18	5,23	3,79	1,28	5,14	3,75	1,33	5,00	3,70	1,39	4,77	3,60	1,48
22,0	30	6,04	3,85	1,09	5,81	3,76	1,19	5,58	3,67	1,29	5,49	3,63	1,33	5,35	3,58	1,39	5,11	3,50	1,49
24,0	32	6,27	3,74	1,09	6,04	3,66	1,20	5,81	3,58	1,30	5,72	3,55	1,34	5,58	3,50	1,39	5,34	3,42	1,50

Heating -50· Hz -230· V

AFR	17,3
-----	------

Indoor temperature		Outdoor temperature [°C WB]											
EDB	°C	-15		-10		-5		0		6		10	
		TC	PI	TC	PI	TC	PI	TC	PI	TC	PI	TC	PI
15,0	15,0	2,86	1,02	3,43	1,07	4,01	1,12	4,58	1,47	6,21	1,54	6,75	1,60
20,0	20,0	2,68	1,04	3,26	1,10	3,83	1,15	4,41	1,50	6,00	1,58	6,54	1,63
22,0	22,0	2,61	1,06	3,19	1,11	3,76	1,16	4,34	1,52	5,92	1,59	6,46	1,65
24,0	24,0	2,54	1,07	3,12	1,12	3,69	1,17	4,27	1,53	5,83	1,61	6,38	1,66
25,0	25,0	2,51	1,07	3,08	1,13	3,66	1,18	4,23	1,54	5,79	1,61	6,33	1,67
27,0	27,0	2,43	1,08	3,01	1,14	3,59	1,19	4,17	1,55	5,71	1,63	6,25	1,68

Symbols

- AFR: Air flow rate [m³/min]
- BF: Bypass factor
- EWB: Entering wet-bulb temperature (°C WB)
- EDB: Entering dry-bulb temperature (°C DB)
- TC: Total capacity [kW]
- SHC: Sensible heat capacity [kW]
- PI: Power input [kW]

Notes

- The ratings shown are net capacities which include a deduction for indoor fan motor heat.
- The bold cells indicate the standard conditions.
Rated operating frequency [Hz]
- The capacities are based on the following conditions:
Corresponding refrigerant piping length: ·5· m
Level difference: ·0· m
- The air flow rate and bypass factor are mentioned in the table.

3D120340

4 Capacity tables

4 - 1 Cooling/Heating Capacity Tables

FTXP60M / RXP60M

Cooling ·50· Hz ·230· V

AFR	16,8
BF	0,27

Indoor temperature		Outdoor temperature [°C DB]																	
EWB	EDB	20			25			30			32			35			40		
		TC	SHC	PI	TC	SHC	PI	TC	SHC	PI	TC	SHC	PI	TC	SHC	PI	TC	SHC	PI
°C	°C																		
14,0	20	6,15	4,35	1,40	5,87	4,20	1,53	5,59	4,05	1,67	5,48	4,00	1,72	5,31	3,91	1,81	5,03	3,77	1,95
16,0	22	6,42	4,27	1,41	6,14	4,13	1,55	5,86	4,00	1,68	5,75	3,94	1,73	5,59	3,86	1,81	5,31	3,73	1,95
18,0	25	6,70	4,44	1,42	6,42	4,31	1,56	6,14	4,18	1,69	6,03	4,13	1,75	5,86	4,05	1,82	5,58	3,93	1,96
19,0	27	6,84	4,65	1,42	6,56	4,52	1,56	6,28	4,40	1,69	6,17	4,35	1,75	6,00	4,28	1,82	5,72	4,16	1,97
22,0	30	7,25	4,47	1,43	6,97	4,36	1,57	6,69	4,25	1,70	6,58	4,21	1,76	6,41	4,14	1,83	6,14	4,04	1,98
24,0	32	7,53	4,34	1,45	7,25	4,24	1,58	6,97	4,14	1,71	6,86	4,10	1,77	6,69	4,04	1,85	6,41	3,94	1,98

Heating ·50· Hz ·230· V

AFR	17,9
-----	------

Indoor temperature		Outdoor temperature [°C WB]											
EDB	°C	-15		-10		-5		0		6		10	
		TC	PI	TC	PI	TC	PI	TC	PI	TC	PI	TC	PI
15,0		3,33	1,24	4,01	1,31	4,68	1,37	5,35	1,79	7,24	1,89	7,87	1,95
20,0		3,13	1,28	3,80	1,34	4,47	1,40	5,14	1,83	7,00	1,93	7,63	1,99
22,0		3,05	1,29	3,72	1,35	4,39	1,42	5,06	1,85	6,90	1,95	7,54	2,01
24,0		2,96	1,30	3,64	1,37	4,31	1,43	4,98	1,87	6,81	1,96	7,44	2,03
25,0		2,92	1,31	3,59	1,37	4,27	1,44	4,94	1,88	6,76	1,97	7,39	2,04
27,0		2,84	1,32	3,51	1,39	4,18	1,45	4,85	1,89	6,66	1,99	7,29	2,05

Symbols

- AFR: Air flow rate [m³/min]
- BF: Bypass factor
- EWB: Entering wet-bulb temperature (°C WB)
- EDB: Entering dry-bulb temperature (°C DB)
- TC: Total capacity [kW]
- SHC: Sensible heat capacity [kW]
- PI: Power input [kW]

Notes

1. The ratings shown are net capacities which include a deduction for indoor fan motor heat.
2. The bold cells indicate the standard conditions.
Rated operating frequency [Hz]
3. The capacities are based on the following conditions:
Corresponding refrigerant piping length: ·5· m
Level difference: ·0·m
4. The air flow rate and bypass factor are mentioned in the table.

3D120341

FTXP71M / RXP71M

Cooling ·50· Hz ·230· V

AFR	16,8
BF	0,27

Indoor temperature		Outdoor temperature [°C DB]																	
EWB	EDB	20			25			30			32			35			40		
		TC	SHC	PI	TC	SHC	PI	TC	SHC	PI	TC	SHC	PI	TC	SHC	PI	TC	SHC	PI
°C	°C																		
14,0	20	7,28	5,14	2,07	6,95	4,97	2,26	6,61	4,79	2,46	6,48	4,73	2,54	6,28	4,62	2,67	5,95	4,46	2,87
16,0	22	7,60	5,05	2,08	7,27	4,88	2,28	6,93	4,73	2,48	6,80	4,66	2,56	6,61	4,56	2,67	6,28	4,41	2,87
18,0	25	7,93	5,25	2,10	7,60	5,10	2,30	7,27	4,94	2,49	7,14	4,88	2,57	6,93	4,79	2,69	6,60	4,65	2,89
19,0	27	8,09	5,50	2,10	7,76	5,34	2,30	7,43	5,20	2,49	7,30	5,14	2,57	7,10	5,06	2,69	6,77	4,92	2,90
22,0	30	8,58	5,28	2,12	8,25	5,15	2,31	7,92	5,02	2,51	7,79	4,98	2,59	7,58	4,89	2,71	7,27	4,78	2,92
24,0	32	8,91	5,13	2,13	8,58	5,01	2,33	8,25	4,89	2,53	8,12	4,85	2,61	7,92	4,78	2,72	7,58	4,66	2,92

Heating ·50· Hz ·230· V

AFR	17,9
-----	------

Indoor temperature		Outdoor temperature [°C WB]											
EDB	°C	-15		-10		-5		0		6		10	
		TC	PI	TC	PI	TC	PI	TC	PI	TC	PI	TC	PI
15,0		3,90	1,65	4,70	1,74	5,48	1,82	6,26	2,38	8,48	2,52	9,22	2,60
20,0		3,67	1,70	4,45	1,78	5,24	1,86	6,03	2,44	8,20	2,57	8,94	2,65
22,0		3,57	1,72	4,36	1,80	5,14	1,89	5,92	2,46	8,08	2,60	8,83	2,68
24,0		3,47	1,73	4,26	1,82	5,05	1,90	5,83	2,49	7,98	2,61	8,72	2,70
25,0		3,42	1,74	4,21	1,82	5,00	1,92	5,79	2,50	7,92	2,62	8,66	2,72
27,0		3,33	1,76	4,11	1,85	4,90	1,93	5,69	2,52	7,80	2,65	8,54	2,73

Symbols

- AFR: Air flow rate [m³/min]
- BF: Bypass factor
- EWB: Entering wet-bulb temperature (°C WB)
- EDB: Entering dry-bulb temperature (°C DB)
- TC: Total capacity [kW]
- SHC: Sensible heat capacity [kW]
- PI: Power input [kW]

Notes

1. The ratings shown are net capacities which include a deduction for indoor fan motor heat.
2. The bold cells indicate the standard conditions.
Rated operating frequency [Hz]
3. The capacities are based on the following conditions:
Corresponding refrigerant piping length: ·5· m
Level difference: ·0·m
4. The air flow rate and bypass factor are mentioned in the table.

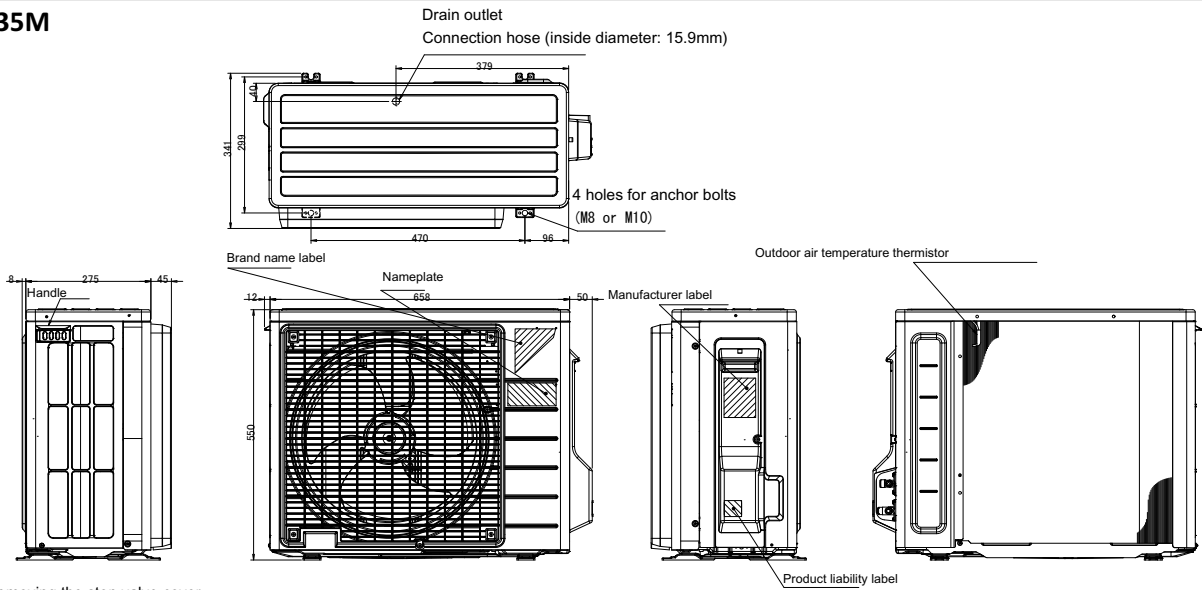
3D120342

5 Dimensional drawings

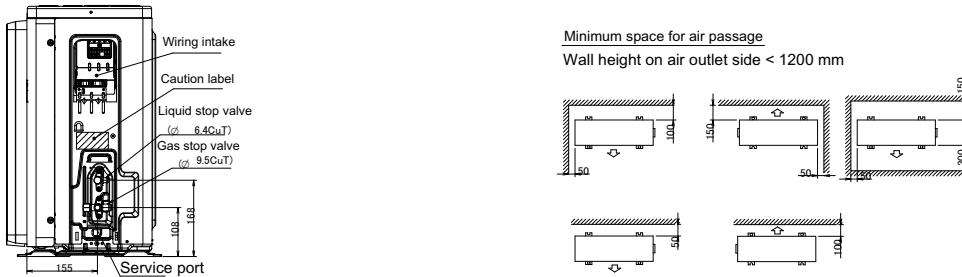
5 - 1 Dimensional Drawings

5

RXP20-35M

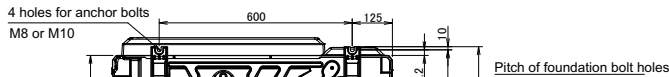
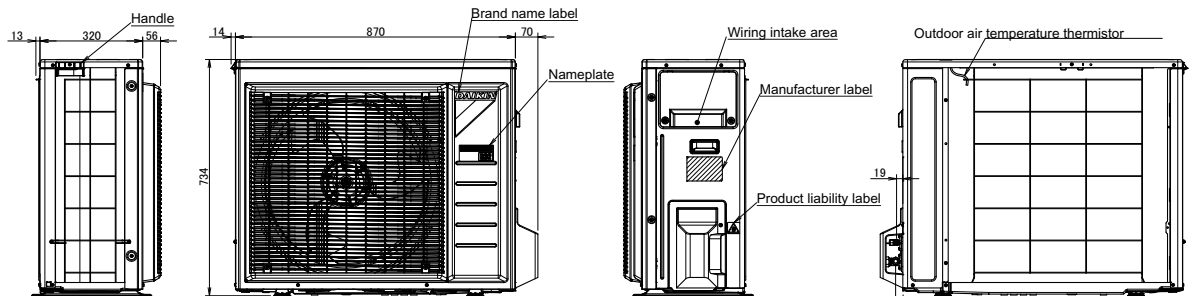


In case of removing the stop valve cover.



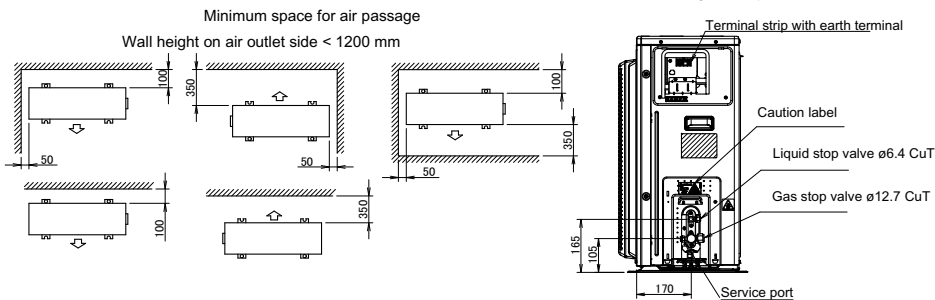
2D113526

RXP50-71M



Drain outlet
Connection hose (inside diameter: 15.9mm)

In case of removing the stop valve cover.

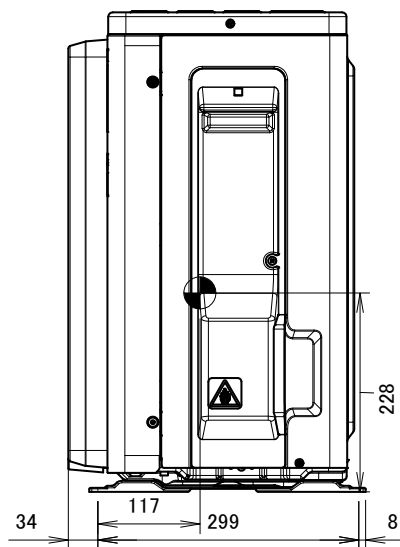
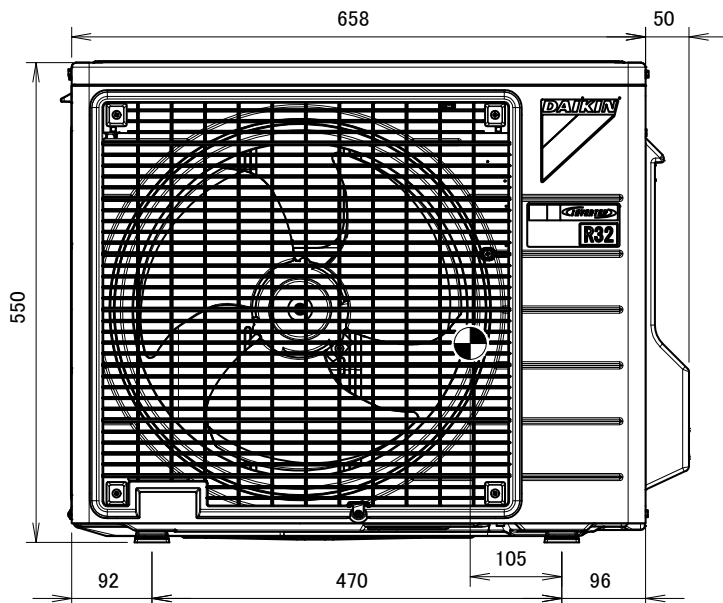


3D114108

6 Centre of gravity

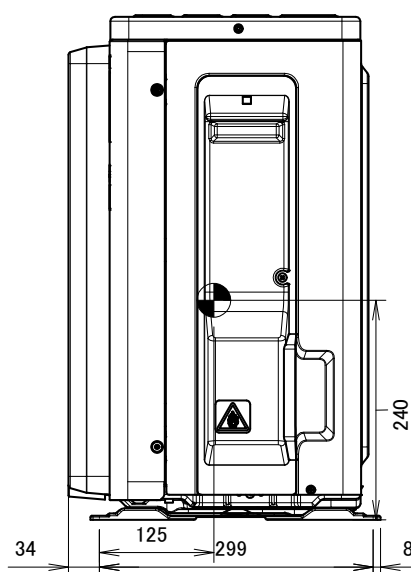
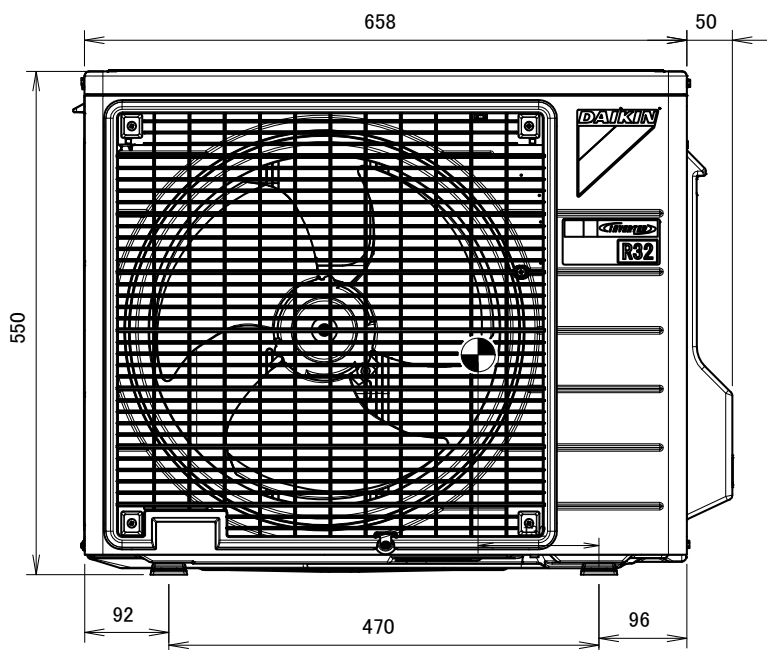
6 - 1 Centre of Gravity

RXP20-25M



4D116239

RXP35M

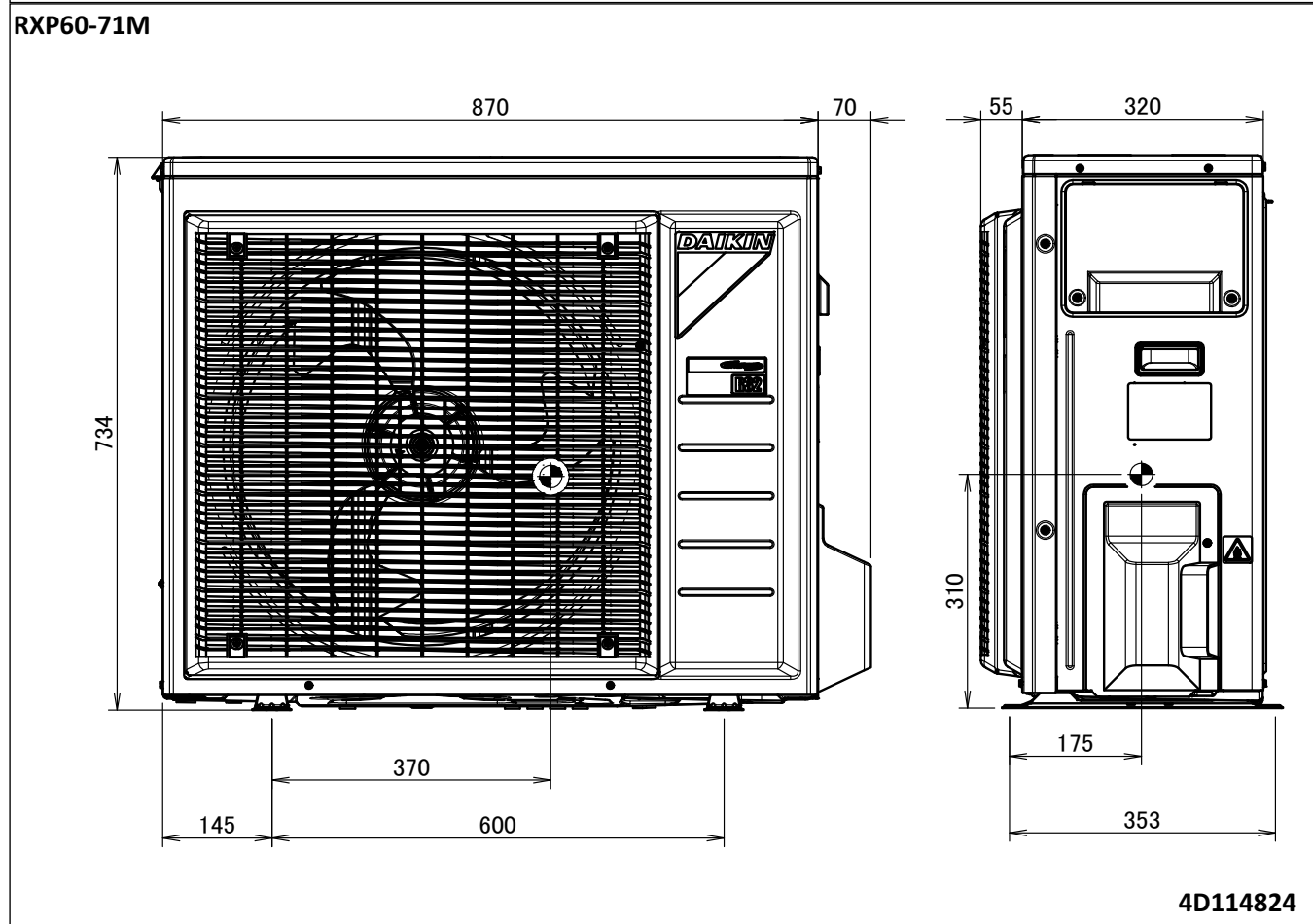
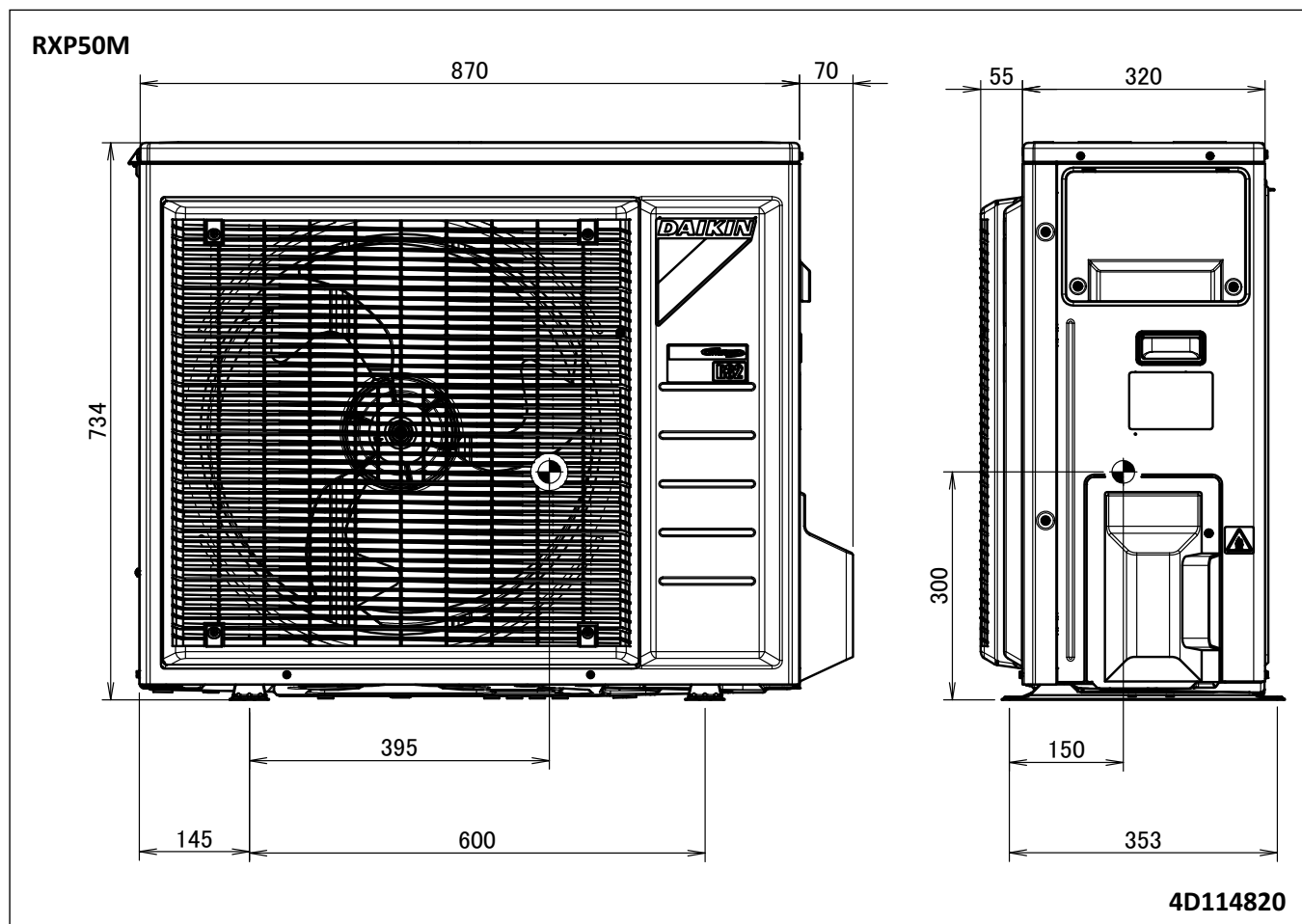


4D116242

6 Centre of gravity

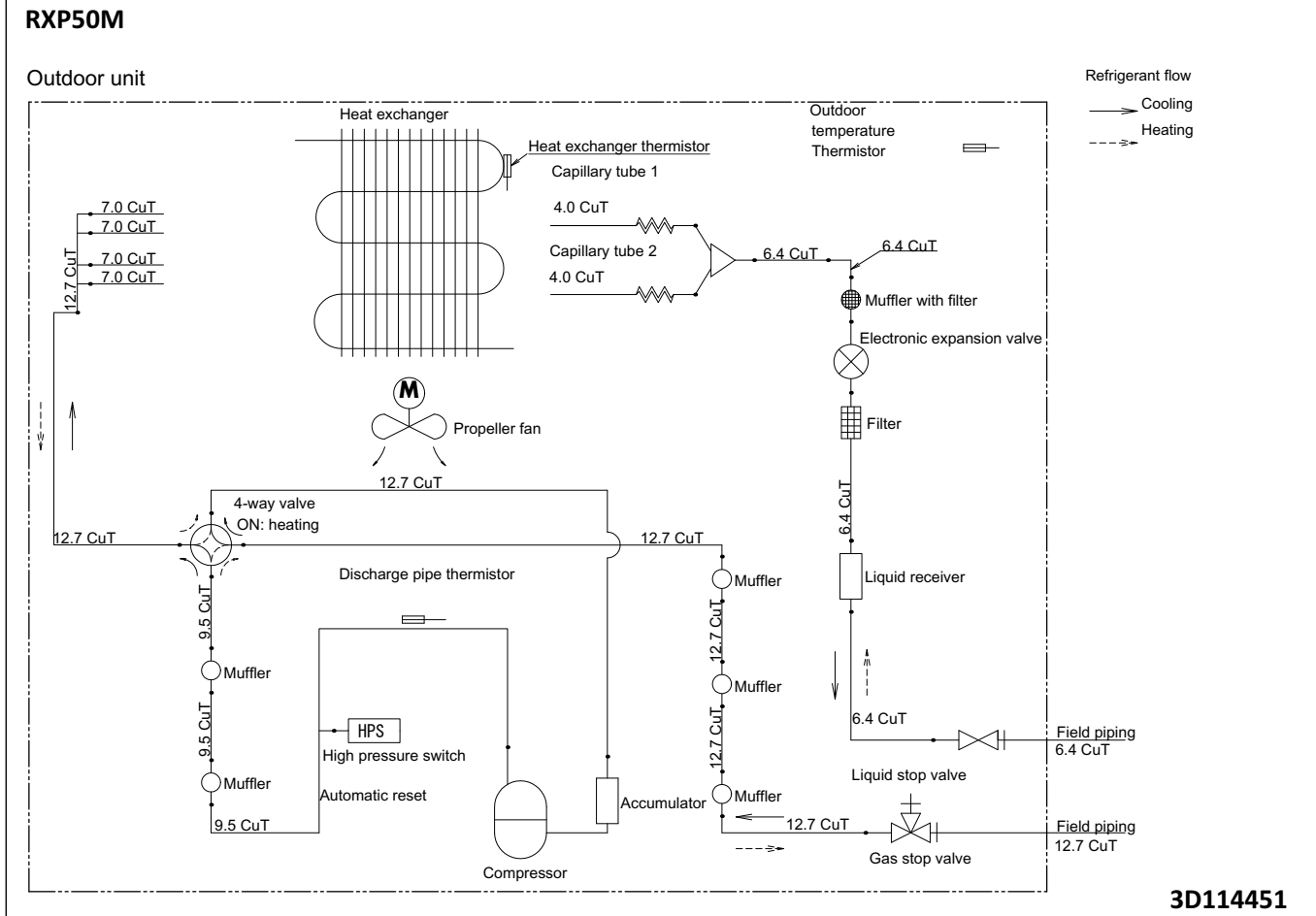
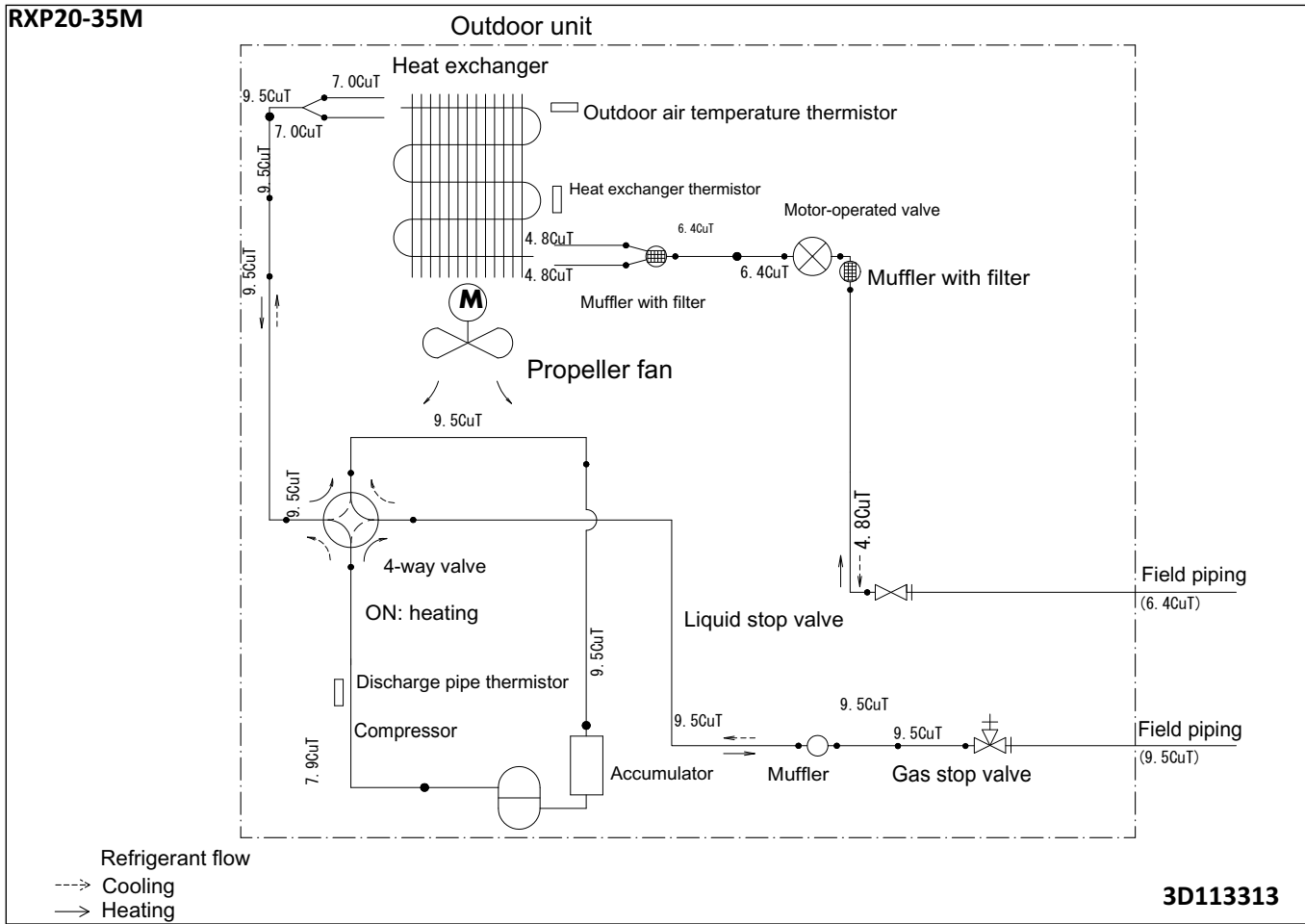
6 - 1 Centre of Gravity

6



7 Piping diagrams

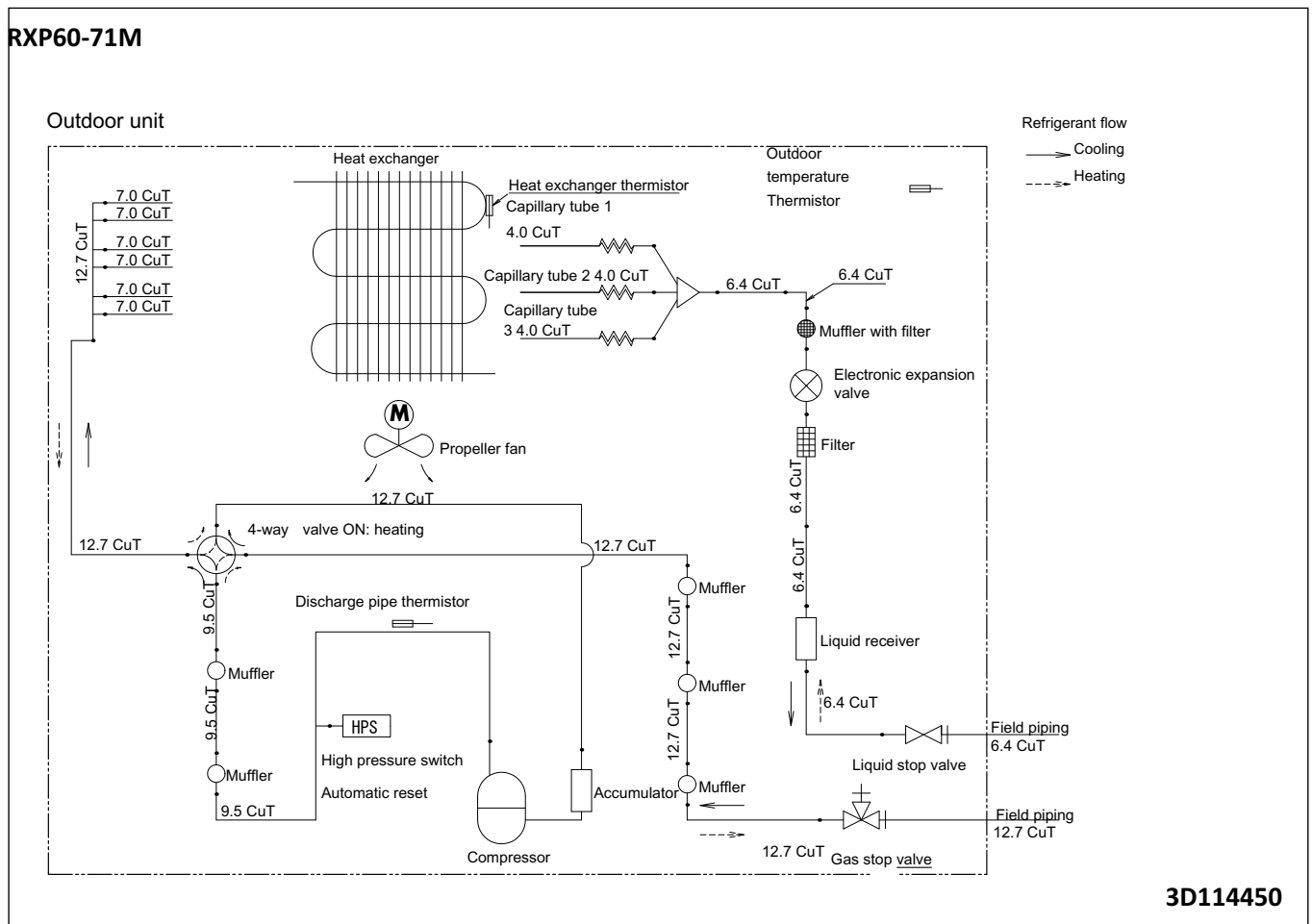
7 - 1 Piping Diagrams



7 Piping diagrams

7 - 1 Piping Diagrams

7

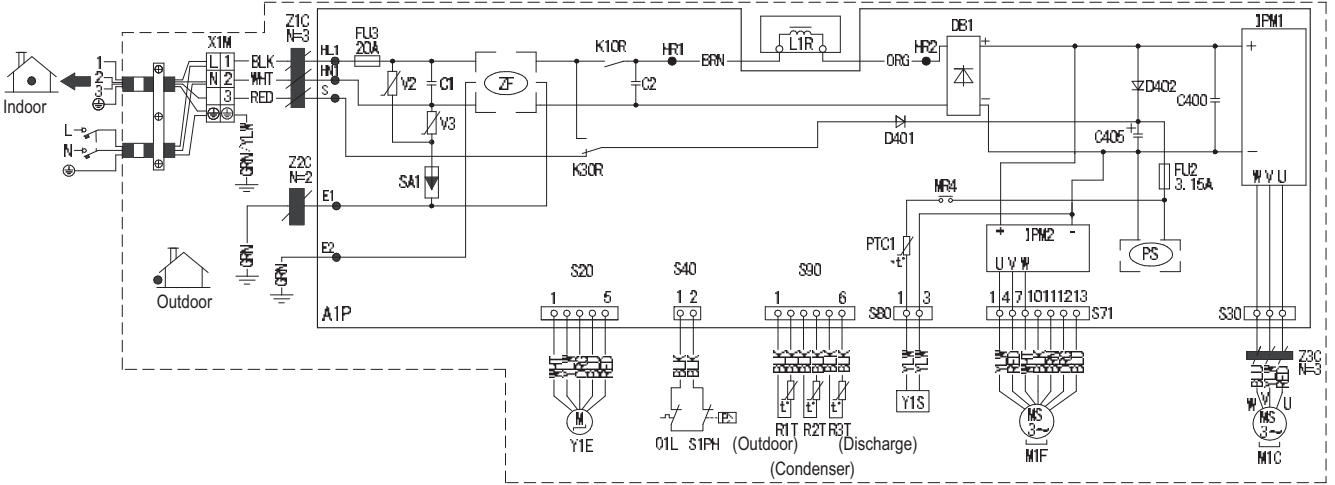


8 Wiring diagrams

8 - 1 Wiring Diagrams - Single Phase

RXP20-35M

Wiring diagram



C1, C2, C400, C405	Capacitor
HL1, HN1, S, E1, E2, HR1, HR2	Connection
D401, D402	Diode
DB1	Diode bridge
FU2, FU3	Fuse
IPM1, IPM2	Intelligent power module
L1R	Reactor
M1C	Compressor motor
M1F	Fan motor
K30R, K10R, MR4	Magnetic relay
A1P	Printed circuit board
PS	Switching power supply
Q1L	Overload protector
R1T, R2T, R3T	Thermistor
S1PH	High pressure switch
SA1	Surge arrester
S20, S30, S40, S71, S80, S90	Connector
V2, V3	Varistor
X1M	Terminal strip
Y1S	Reversing solenoid valve coil
PTC1	Thermistor PTC
Y1E	Electronic expansion valve coil
Z1C, Z2C, Z3C	Ferrite core
ZF	Noise filter

BLK:	Black
WHT:	White
BRN:	Brown
RED:	Red
GRN:	Green
YLW:	Yellow
ORG:	Orange
BLU:	Blue

⊕ : Protective earth

⊥ : Earth

▬▬▬▬ : Field wiring

NOTES

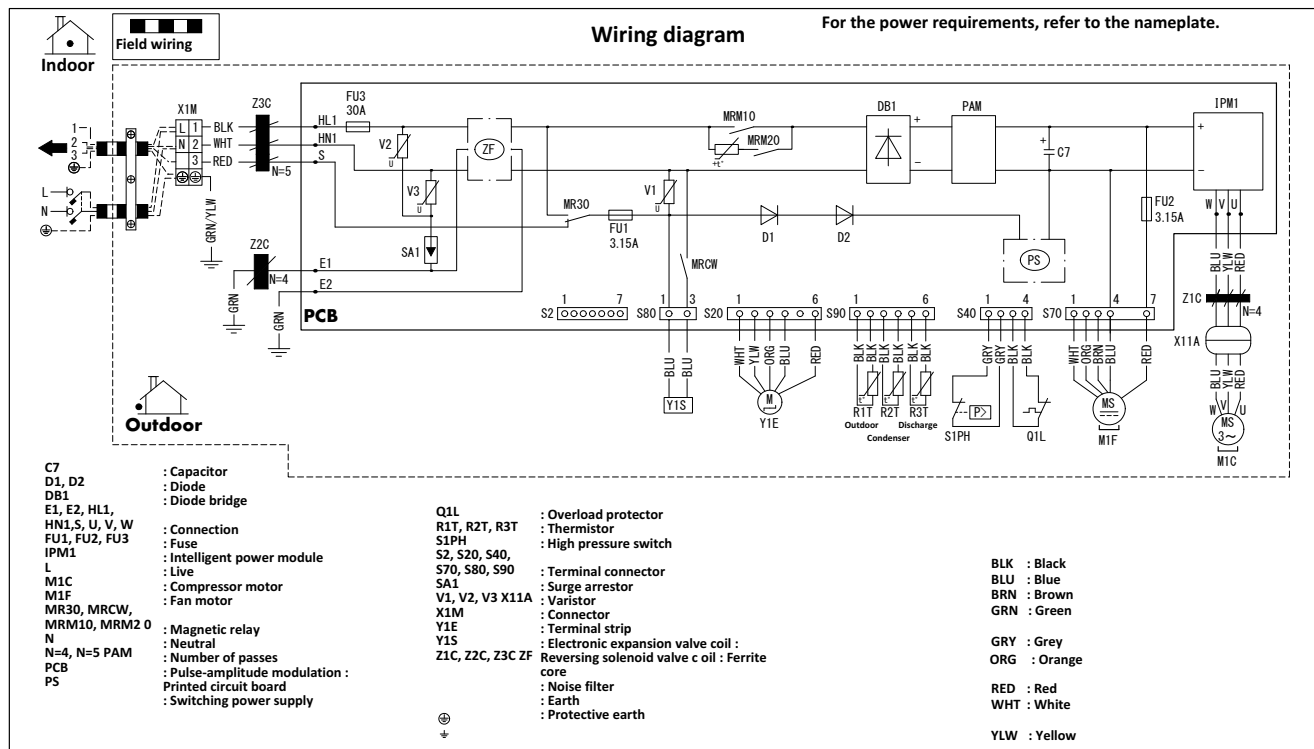
1. Refer to the nameplate for the power requirements.

8 Wiring diagrams

8 - 1 Wiring Diagrams - Single Phase

8

RXP50-71M



Notes:

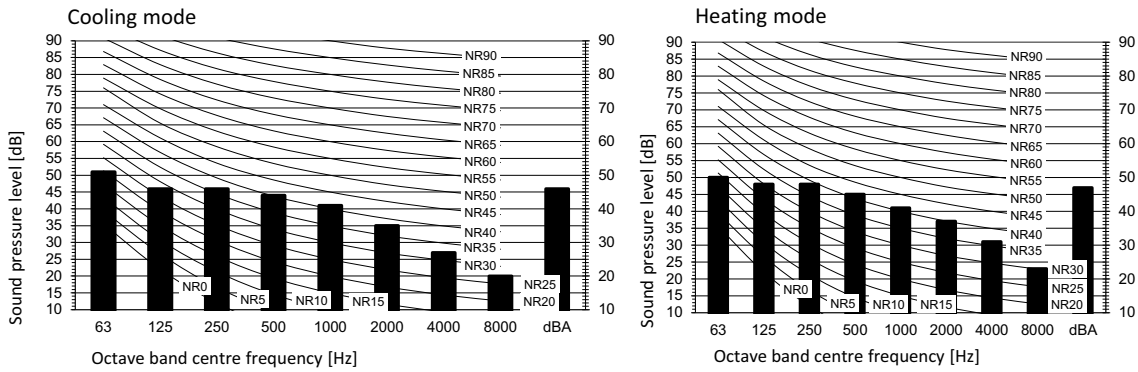
1. Size: 105 x 185
2. Refer to purchasing specification AS(Y)303002, unless otherwise specified.

3D114432A

9 Sound data

9 - 1 Sound Pressure Spectrum

RXP20M



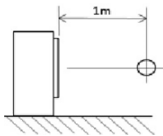
Legend

dBA = A-weighted sound pressure level (A scale according to IEC).

A Scale

B High Fan speed

Location of microphone



Cooling Total dB

A	B
dBA	46

Heating Total dB

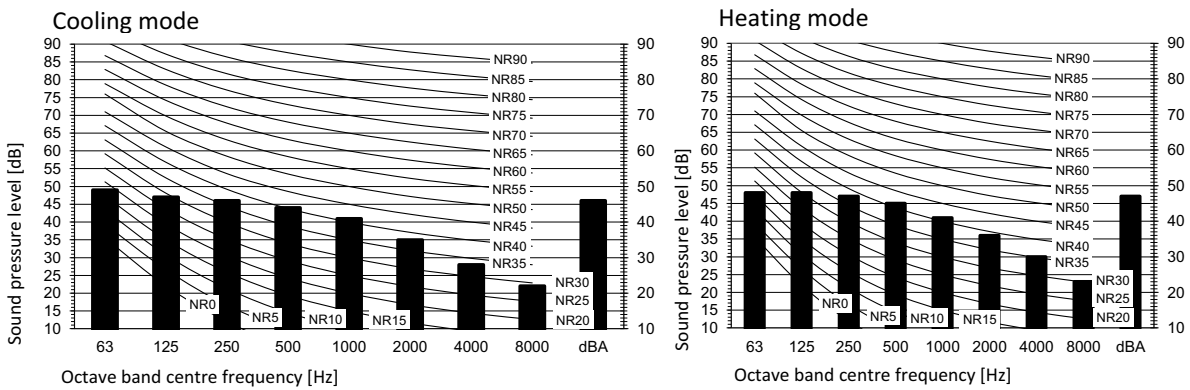
A	B
dBA	47

Notes

1. Operating conditions: power source 220-240 V/220 V 50/60 Hz; JIS standard
2. Background noise already taken into account.
3. Operating noise varies depending on operation and ambient conditions.
4. The operation noise measuring method is in accordance with JISC9612.
5. Measuring location: anechoic chamber

3D092072D

RXP25M



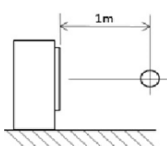
Legend

dBA = A-weighted sound pressure level (A scale according to IEC).

A Scale

B High Fan speed

Location of microphone



Cooling Total dB

A	B
dBA	46

Heating Total dB

A	B
dBA	47

Notes

1. Operating conditions: power source 220-240 V/220 V 50/60 Hz; JIS standard
2. Background noise already taken into account.
3. Operating noise varies depending on operation and ambient conditions.
4. The operation noise measuring method is in accordance with JISC9612.
5. Measuring location: anechoic chamber

3D092073D

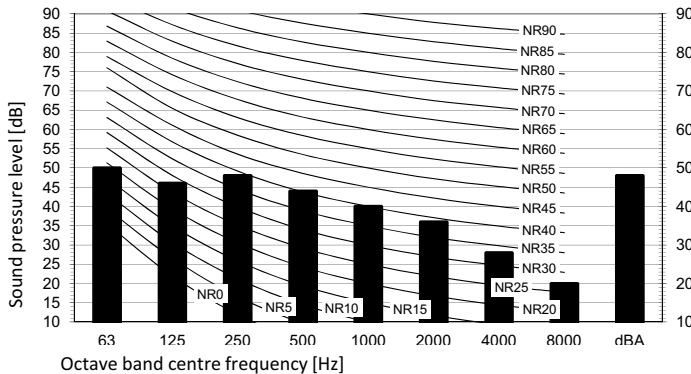
9 Sound data

9 - 1 Sound Pressure Spectrum

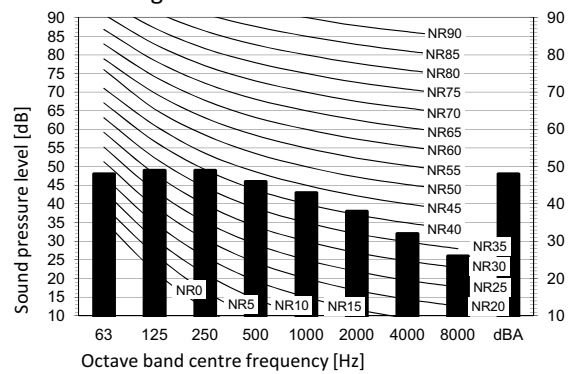
9

RXP35M

Cooling mode



Heating mode



Legend

dBA = A-weighted sound pressure level (A scale according to IEC).

A Scale

B High Fan speed

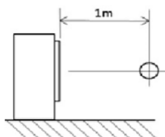
Cooling Total dB

A	B
dBA	48

Heating Total dB

A	B
dBA	48

Location of microphone



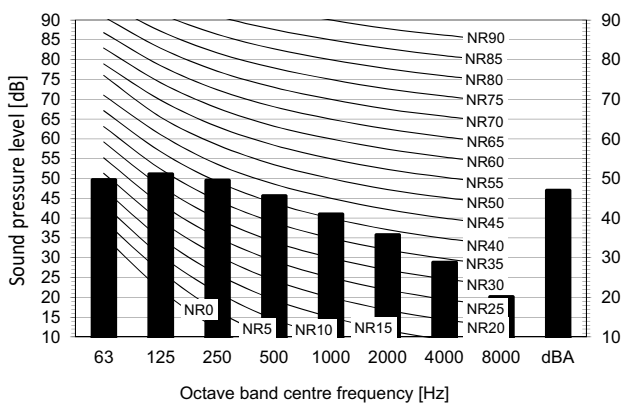
Notes

1. Operating conditions: power source 220-240 V/220 V 50/60 Hz; JIS standard
2. Background noise already taken into account.
3. Operating noise varies depending on operation and ambient conditions.
4. The operation noise measuring method is in accordance with JISC9612.
5. Measuring location: anechoic chamber

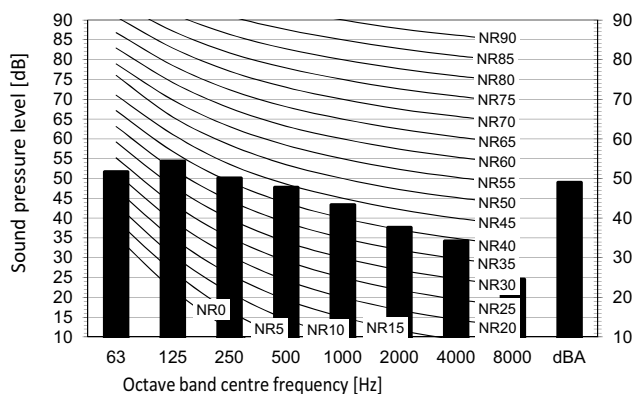
3D092074D

RXP50M

Cooling mode



Heating mode



Legend

dBA = A-weighted sound pressure level (A scale according to IEC).

A Scale

B Fan speed: High

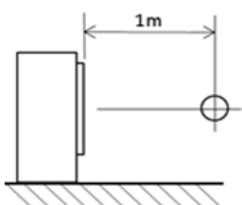
Cooling Total dB

A	B
dBA	47

Heating Total dB

A	B
dBA	49

Location of microphone



Notes

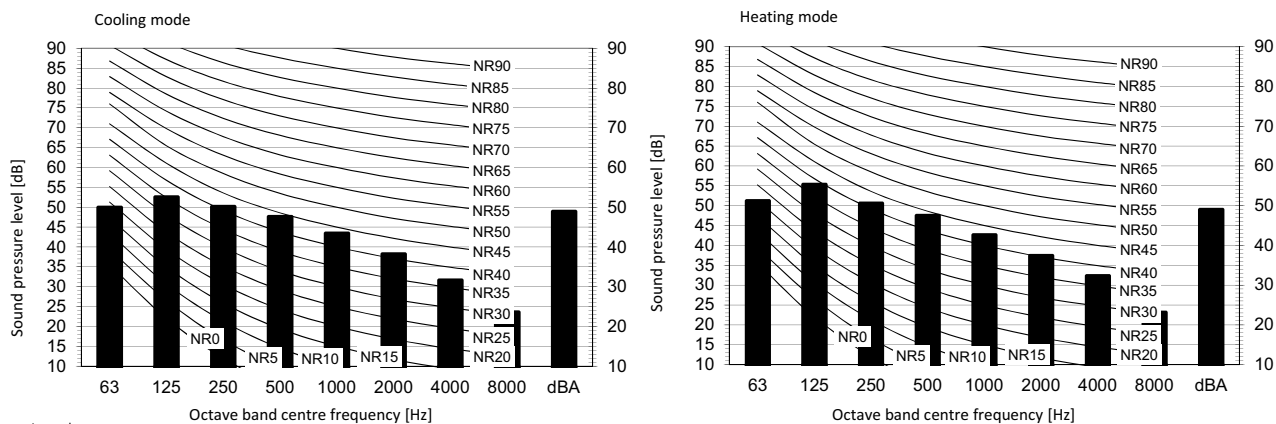
1. Operating conditions: power source 220-240 V/220 V 50/60 Hz; JIS standard
2. Background noise already taken into account.
3. Operating noise varies depending on operation and ambient conditions.
4. The operation noise measuring method is in accordance with JISC9612.
5. Measuring location: anechoic chamber

3D115238

9 Sound data

9 - 1 Sound Pressure Spectrum

RXP60M



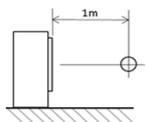
Legend

dBA = A-weighted sound pressure level (A scale according to IEC).

A Scale

B Fan speed: High

Location of microphone



Cooling Total dB

A	B
dBA	49

Heating Total dB

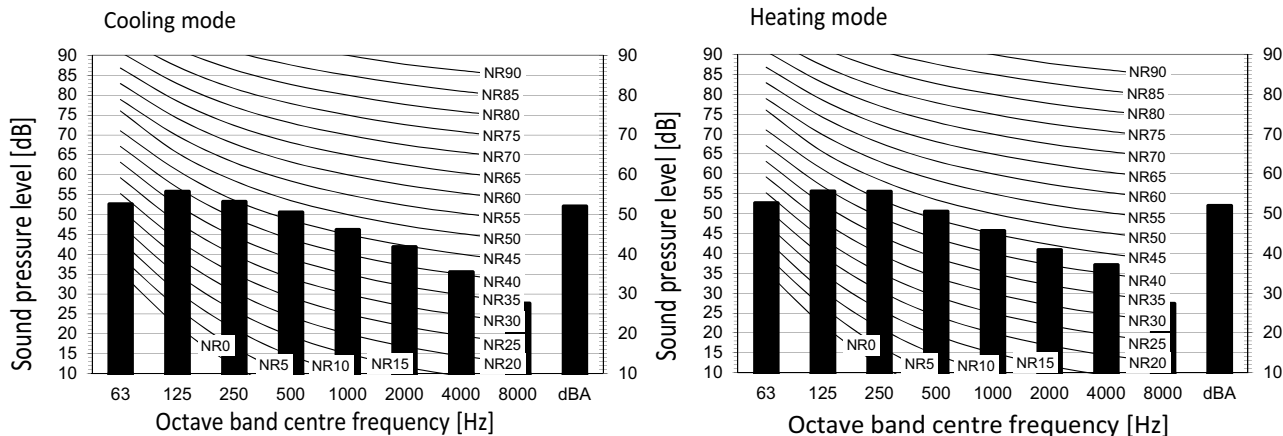
A	B
dBA	49

Notes

1. Operating conditions: power source 220-240 V/220 V 50/60 Hz; JIS standard
2. Background noise already taken into account.
3. Operating noise varies depending on operation and ambient conditions.
4. The operation noise measuring method is in accordance with JISC9612.
5. Measuring location: anechoic chamber

3D115239

RXP71M



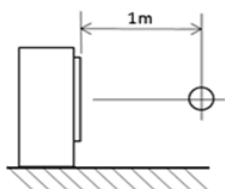
Legend

dBA = A-weighted sound pressure level (A scale according to IEC).

A Scale

B Fan speed: High

Location of microphone



Cooling Total dB

A	B
dBA	52

Heating Total dB

A	B
dBA	52

Notes

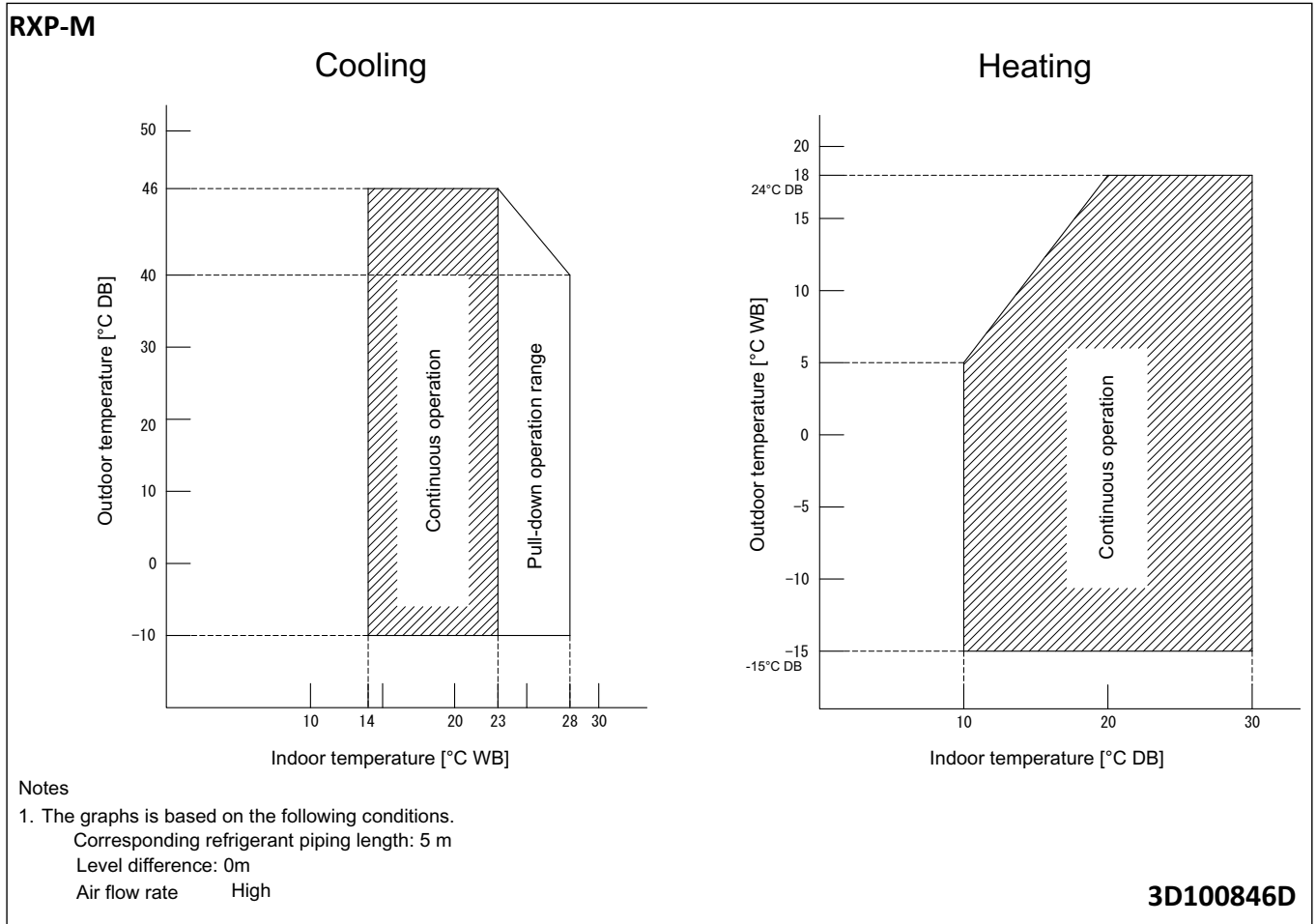
1. Operating conditions: power source 220-240 V/220 V 50/60 Hz; JIS standard
2. Background noise already taken into account.
3. Operating noise varies depending on operation and ambient conditions.
4. The operation noise measuring method is in accordance with JISC9612.
5. Measuring location: anechoic chamber

3D115240

10 Operation range

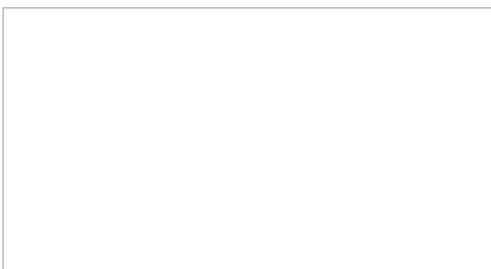
10 - 1 Operation Range

10





Daikin Europe N.V. Naamloze Vennootschap - Zandvoordestraat 300, B-8400 Oostende - Belgium - www.daikin.eu - BE 0412 120 336 - RPR Oostende



EEDEN19 03/19



Daikin Europe N.V. participates in the Eurovent Certified Performance programme for Liquid Chilling Packages and Hydronic Heat Pumps, Fan Coil Units and Variable Refrigerant Flow systems. Check ongoing validity of certificate: www.eurovent-certification.com



The present leaflet is drawn up by way of information only and does not constitute an offer binding upon Daikin Europe N.V.. Daikin Europe N.V. has compiled the content of this leaflet to the best of its knowledge. No express or implied warranty is given for the completeness, accuracy, reliability or fitness for particular purpose of its content and the products and services presented therein. Specifications are subject to change without prior notice. Daikin Europe N.V. explicitly rejects any liability for any direct or indirect damage, in the broadest sense, arising from or related to the use and/or interpretation of this leaflet. All content is copyrighted by Daikin Europe N.V.